



Barcode: 5060452085029

# forma-stor™

Product code: FR200-TT

- » Flat-packed, modular, quick assembly unit.
- » Heavy-duty secure jobsite storage.
- » Easily transportable to restricted areas.



## Product features



T-Latch lock



Forklift pockets



Crane lifting eyes



Collapsible



Stackable



Suitable for jobsite

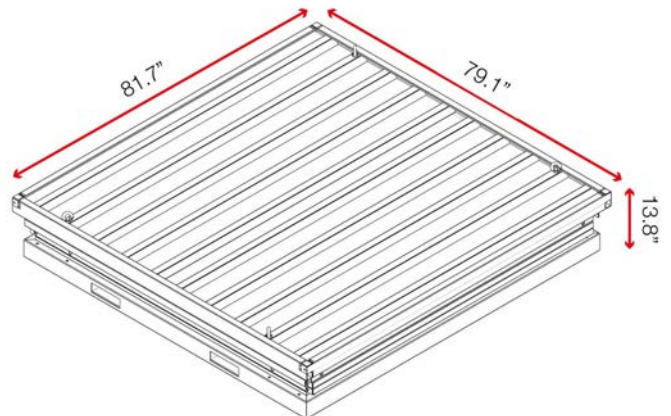


Up to 5 shelves

## Product specifications

Weight	845lbs
Color	Black grey: RAL 7021
Finished coating	Galvanized and powder coated
Material	20 gauge steel
Suitable for vehicle mounting	No
How are casters fitted?	Not applicable
Other sizes available	1 other size
Assembly required?	Yes
Qty of shelves as standard	0 shelves

## Dimensions - External dimensions includes protrusions



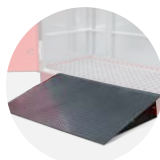
## Optional extras - Contact Armorgard to find out more



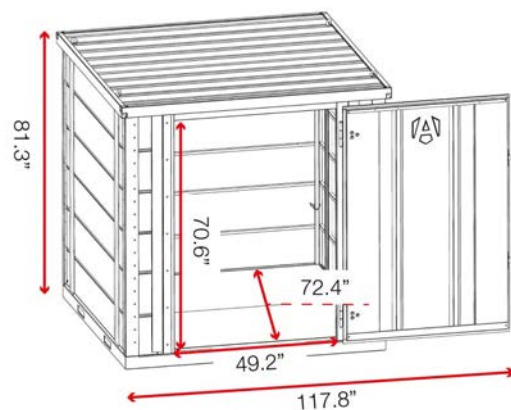
Shelf FRS2



BlokkaBar FRBL2



Ramp FRR4



Disclaimer: all dimensions and weights are approximate