



sitestation™

Product code: SS2-T

- » A compact mobile workstation to replace your traditional desk
- » Saves time and money when managing jobsite projects
- » Features include: lighting, power supply, secure storage



Product features



T-Latch lock



Crane lifting eyes



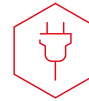
UL approved light supply



4 way fork pockets



Heavy-duty 6" casters



UL approved power supply



Suitable for jobsite

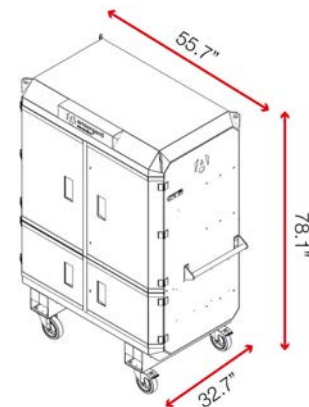


Load capacity

Product specifications

Weight	497lbs
Color	Black grey: RAL 7021, Traffic red: RAL 3020
Finished coating	Powder coated
Material	16 gauge steel
Does it have storage	Yes
How are casters fitted?	Quick-fix caster plates
Assembly required?	Yes

Dimensions - External dimensions includes protrusions



Related products - Contact Armorgard to find out more



Forma-Stor FR200-TT



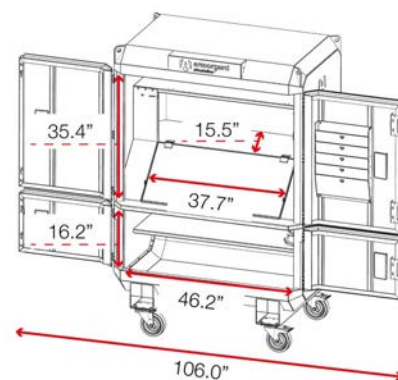
SiteBoss Cabinet SB48



FittingStor FC4-T



CuttingStation SS7-T



Disclaimer: all dimensions and weights are approximate