



Barcode: 5060452083056

datastation™

Product code: DS2AU

- » Built in 43" screen can be used for presenting or BIM modelling.
- » Features 2 sockets to power or charge your devices.
- » Allows managers to stay close to the work & workers on site.



Product features



4x 5-lever
deadlock



Power supply
230V



Heavy-duty 6"
castors



Forklift skids



Crane lifting eyes



Suitable for site

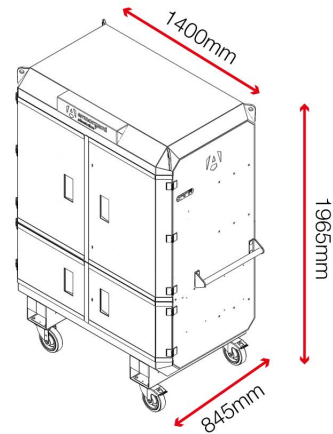


Light supply

Product specifications

Weight	235kg
Colour	Black grey: RAL 7021
Finished coating	Powder coated
Material	1.5mm steel
Quantity of keys	3 keys
Does it have storage	Yes
How are castors fitted	Castor plates

Dimensions



Related products - Contact Armorgard to find out more



SiteStation SS2



Forma-Stor FR100-T



Mobile TuffBench MBH12



Barricade BAR1

