



Barcode: 5060452083117

Patent: 2113663.5

Version: v10.1.5



# adaptakart™

Product code: AK750

- » Easier handling of plasterboard and other large sheet materials.
- » Doubles up as a trolley and work/cutting bench.
- » No twisting and lifting reduces potential back injuries.

## Product features



SafeStop braking system



200mm SafeStop castor



Heavy-duty 6" castors



Working load limit



Built in handles



Suitable for site

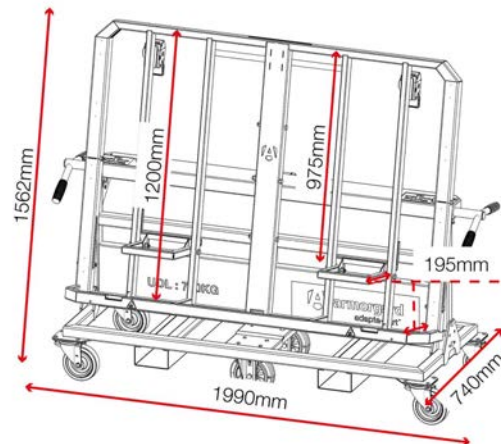


Lashing points

## Product specifications

Weight	123kg
Colour	Black grey: RAL 7021, Traffic red: RAL 3020
Finished coating	Powder coated
Material & thickness	2mm steel
How are castors fitted?	Bolted on
Assembly required?	No

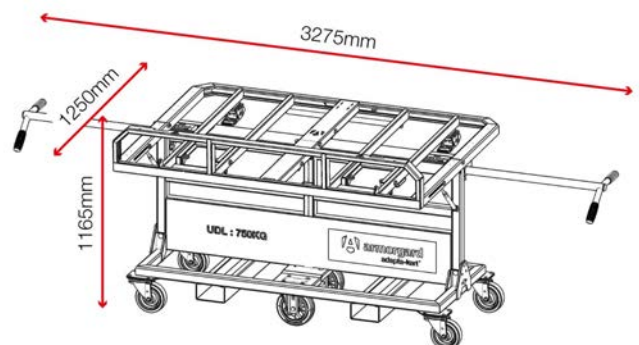
## Dimensions - External dimensions includes protrusions



## Optional extras - Contact Armorgard to find out more



AdaptaKart Wooden Board Kit  
AK750-WBK



Disclaimer: all dimensions and weights are approximate