



Barcode: 5060452082059

Patent number: 17183824.6

# cuttingstation™

Product code: SS7

- » A multi-purpose cutting platform, with an integrated secure cabinet.
- » Extendable support arms with four configurations.
- » Reduces noise and vibration, and contains sparks when cutting.

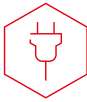


Watch the CuttingStation  
in action

## Product features



5-level deadlock



Power supply  
110V



Light supply



Forklift skids



Heavy-duty 6"  
castors



Fire resistant

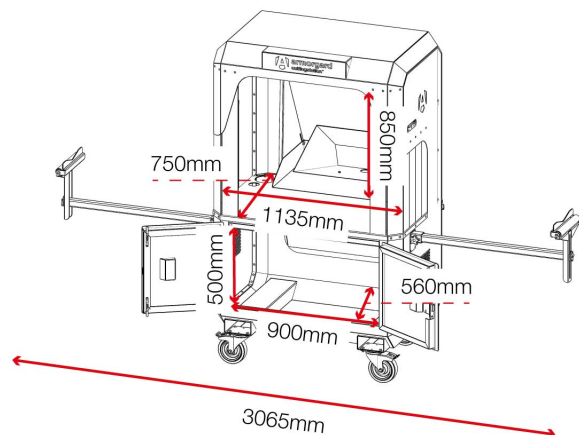
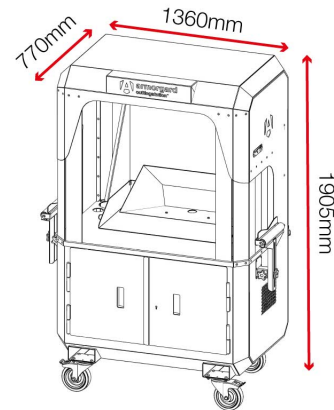


Suitable for site

## Product specifications

Weight	175kg
Colour	Black grey: RAL 7021, Traffic red: RAL 3020
Finished coating	Powder coated
Material & thickness	1.5mm steel
Quantity of keys	2 keys
Does it have storage	Yes
How are castors fitted?	Quick-fix bolt on castor kit. Extra heavy-duty castors using Armorgard castor plates

## Dimensions



## Optional extras - Contact Armorgard to find out more



Crane lifting eyes CLEK



Clamp SS7C