



Barcode: 5060452080130

oxbox™

Product code: OX2

- » Secure range of storage boxes.
- » Suitable for storing tools and equipment.
- » Unique external and internal anti-jemmy systems for added security.



Watch the OxBox in action

Product features



2x 5-lever deadlock



Gas strut (400N)



No detachable parts

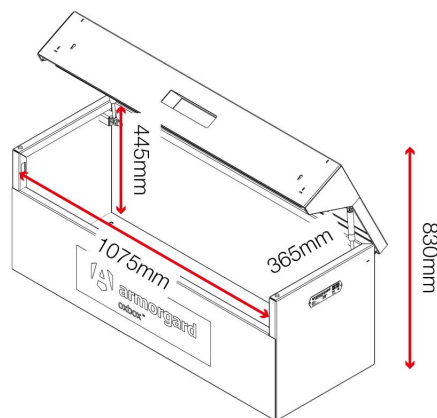
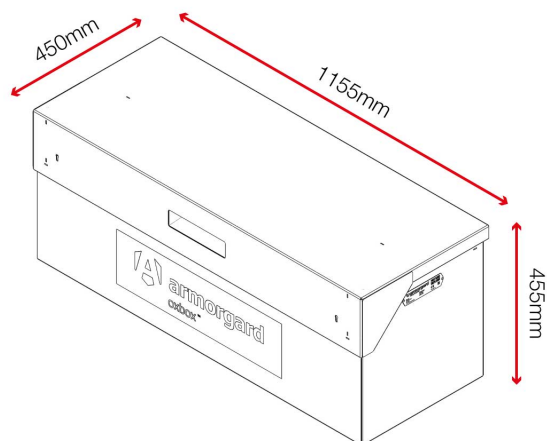


Suitable for vehicles

Product specifications

Weight	41kg
Colour	Black grey: RAL 7021
Suitable for	Vehicle
Finished coating	Powder coated
Material & thickness	1.5mm and 2.5mm steel
Quantity of keys	3 keys
Suitable for vehicle mounting	Yes
How are castors fitted?	Van box fixing kit
Other sizes available	5 other sizes
Qty of shelves as standard	No

Dimensions



Related products - Contact Armorgard to find out more



OxBox OX05



OxBox OX1



OxBox OX3



OxBox OX4