



Barcode: 5060452081816

# rubble truck™

Product code: RT400

- » Designed to handle materials, waste and rubble.
- » Built in tipping feature for safe unloading of materials.
- » Extra strength crane lifting eyes for transporting loads.



Watch the Rubble Truck in action

## Product features



Heavy-duty 6" castors



Puncture-proof tyres



750kg

Working load limit



Stackable



400L

Capacity



Crane lifting eyes



Built in handles

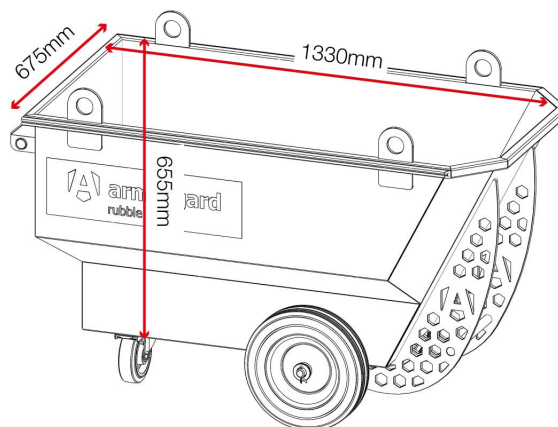
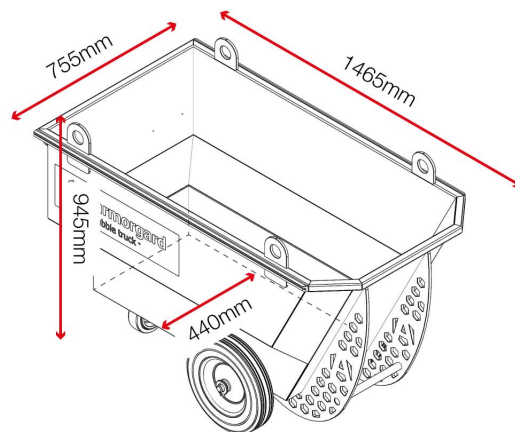


Suitable for site

## Product specifications

Weight	88.5kg
Colour	Black grey: RAL 7021
Finished coating	Powder coated
Material & thickness	2mm & 10mm steel
How are castors fitted?	Castor plates
Assembly required?	No

## Dimensions



Optional extras - Contact Armorgard to find out more



Lid RT-L