



safestor™

Product code: HMC1

- » Hazardous storage cupboard for storing flammables or chemicals.
- » Liquid-tight sump to contain spillages.
- » Swivel castor wheels make it easier to move around.



Product features



Cam lock



75mm castor wheels



COSHH compliant



Fire resistant



Safety signage



Sump capacity

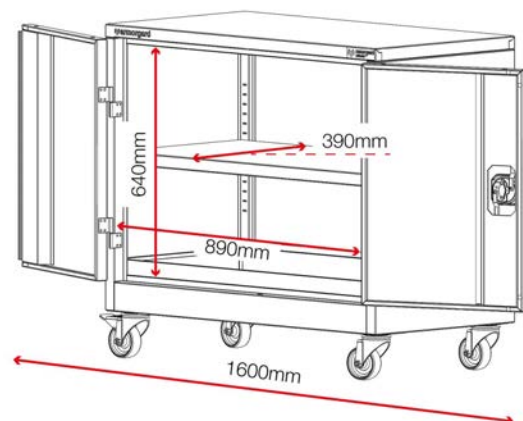
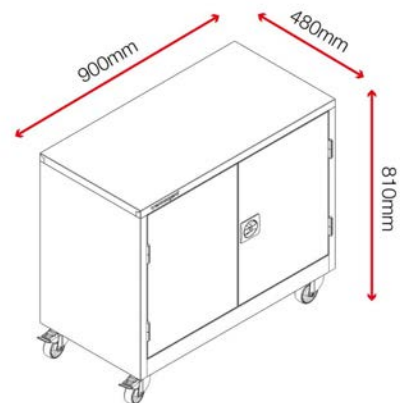


UDL per shelf

Specifications

Weight	26kg
Colour	Traffic yellow: RAL 1023
Suitable for	Indoor storage of flammables or chemicals
Finished coating	Powder coated
Material & thickness	0.9mm steel
Quantity of keys	2 keys
How are castors fitted?	Bolted on
Other sizes available	8 other sizes
Ventilation	No
Qty of shelves as standard	1 shelf

Dimensions - External dimensions includes protrusions



Optional extras - Contact Armorgard to find out more



SafeStor shelf SHE-HFC-C

Disclaimer: all dimensions and weights are approximate