



transbank™

Product code: TRB4

- » Fully welded unit, for storing and transporting fuels and chemicals.
- » Suitable for vehicle mounting in line with regulations.
- » Designed for storing 4 x 20 litre cans.



**Watch the
TransBank in
action**

Product features



Padlock secured



COSHH compliant



Sump capacity



Fire resistant



No detachable
parts



Safety signage

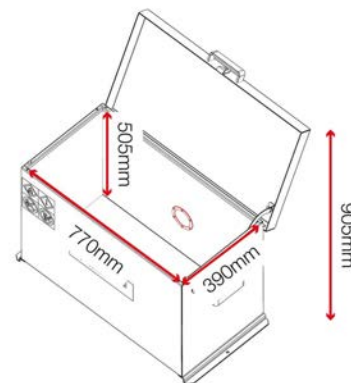
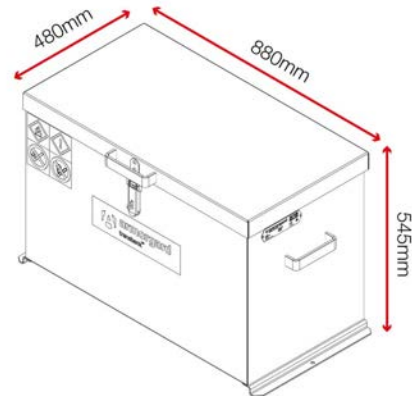


Suitable for vehicles

Product specifications

Weight	28kg
Colour	Traffic red: RAL 3020
Suitable for	Transporting flammables & chemicals - 4 x 20L cans
Finished coating	Powder coated
Material & thickness	1.2mm steel
Quantity of keys	No
How are castors fitted?	Not applicable
Other sizes available	4 other sizes
Ventilation	Yes
Qty of shelves as standard	Not applicable

Dimensions - External dimensions includes protrusions



Optional extras - Contact Armorgard to find out more



Padlock LOCK-P50

Disclaimer: all dimensions and weights are approximate