



transbank™

Product code: TRB6

- » Fully welded unit, for storing and transporting fuels and chemicals.
- » Suitable for vehicle mounting in line with regulations.
- » Designed for storing 6 x 20 litre cans.

**Watch the
TransBank in
action**

Product features



Padlock secured



COSHH compliant

Sump capacity
75L

Fire resistant

No detachable
parts

Safety signage

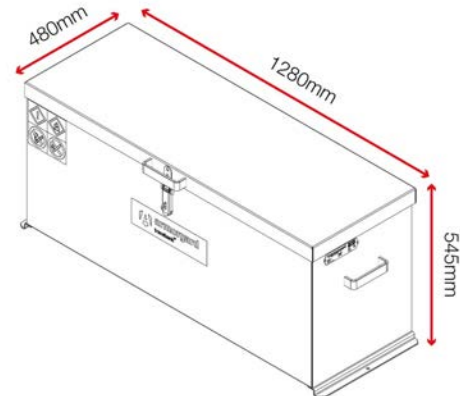


Suitable for vehicles

Product specifications

Weight	38kg
Colour	Traffic red: RAL 3020
Suitable for	Transporting flammables & chemicals - 6 x 20L cans
Finished coating	Powder coated
Material & thickness	1.2mm steel
Quantity of keys	No
How are castors fitted?	Not applicable
Other sizes available	4 other sizes
Ventilation	Yes
Qty of shelves as standard	Not applicable

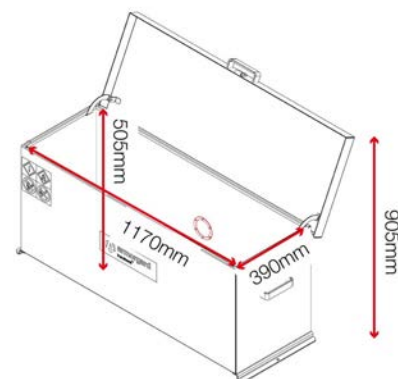
Dimensions - External dimensions includes protrusions



Optional extras - Contact Armorgard to find out more



Padlock LOCK-P50

**Disclaimer: all dimensions and weights are approximate**