



tuffbank™

Product code: TB3

- » Our best-selling range of secure tool and equipment storage.
- » TuffBanks adhere to rigorous test standards required by the police.
- » Unique external and internal anti-jemmy systems for added security.



Watch the
TuffBank in action



Product features



2x 5-lever deadlock



Gas strut (300N)



SlamStop lid stay



Forklift skids



No detachable
parts

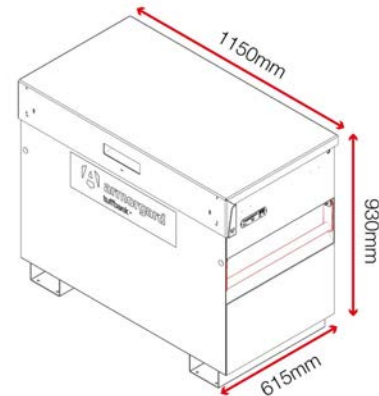


Suitable for site

Product specifications

Weight	97kg
Colour	Black grey: RAL 7021, Traffic red: RAL 3020
Suitable for	Site
Finished coating	Powder coated
Material & thickness	2mm and 3mm steel
Quantity of keys	3 keys
Suitable for vehicle mounting	No
How are castors fitted?	Castor plates
Other sizes available	7 other sizes
Qty of shelves as standard	No

Dimensions - External dimensions includes protrusions



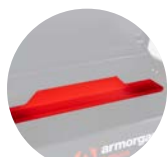
Optional extras - Contact Armorgard to find out more



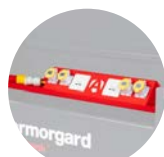
Crane lifting eyes CLEK



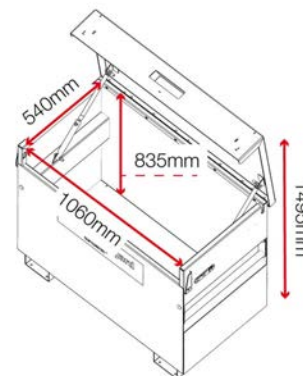
Castor Kit CASS1



Shelf SHE-4



PowerShelf SHE-P4-110



Disclaimer: all dimensions and weights are approximate