



# tuffbank™

**Product code: TBC5**

- » Sold Secure and Secured by Design accreditation: TuffBanks.
- » Unique internal anti-jemmy system helps prevent the lid from being.
- » Up to 2 shelves can be added for better organisation of contents.



Watch the  
TuffBank in action



## Product features



2x 5-lever deadlock



Gas strut (1000N)



SlamStop lid stay



Forklift skids



No detachable  
parts

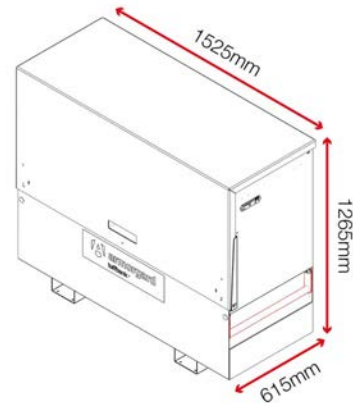


Suitable for site

## Product specifications

Weight	153kg
Colour	Black grey: RAL 7021, Traffic red: RAL 3020
Suitable for	Site
Finished coating	Powder coated
Material & thickness	2mm and 3mm steel
Quantity of keys	3 keys
Suitable for vehicle mounting	No
How are castors fitted?	Castor plates
Other sizes available	7 other sizes
Qty of shelves as standard	No

## Dimensions - External dimensions includes protrusions



## Optional extras - Contact Armorgard to find out more



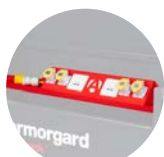
Crane lifting eyes CLEK



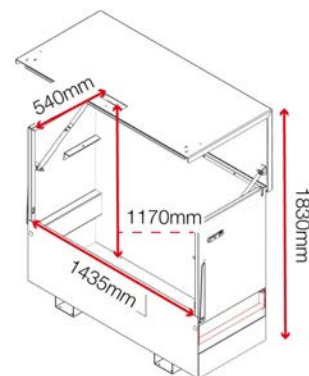
Castor Kit CASS1



Shelf SHE-D5



PowerShelf SHE-DP5-110



**Disclaimer: all dimensions and weights are approximate**