

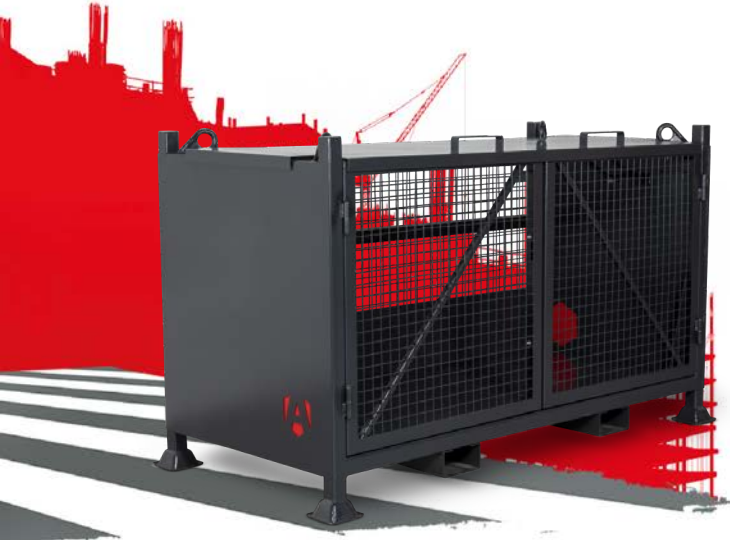


Barcode: 5060452082523

tuffcrate™

Product code: TC750

- » Crane liftable stillage for storing and transporting heavy items.
- » Ideal for Stress Testing Kits, but can store a variety of items.
- » Front doors and lid open fully for easy access by hand or crane.



Product features



Padlock secured



Gas strut (300N)



SlamStop lid stay



Forklift skids



Crane lifting eyes



750kg

Working load limit



No detachable parts

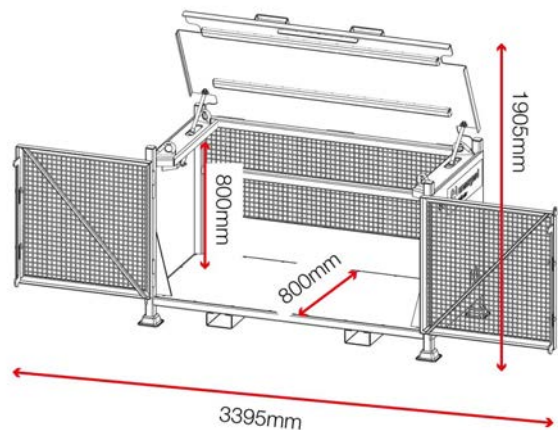
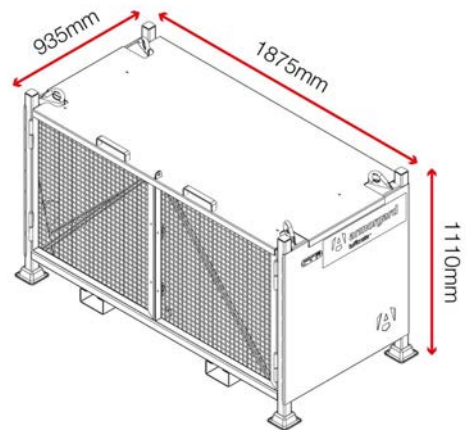


Stackable

Product specifications

Weight	245kg
Colour	Black grey: RAL 7021
Suitable for	Trackside / Depot
Finished coating	Powder coated
Material & thickness	2mm, 3mm and 5mm steel
Suitable for vehicle mounting	No
How are castors fitted?	Not applicable
Other sizes available	No

Dimensions



Related products - Contact Armorgard to find out more



Forma-Stor FR100-T



Forma-Stor FR200-T



TuffBank TBC4



TuffStor Cabinet TSC6