



tuffstor cabinet™

Product code: TSC2

- » Ultra-tough cabinet designed to keep tools and equipment secure.
- » Adjustable shelves keep equipment organised and accessible.
- » Designed with the advantage of using less floor space.



Product features



2x 5-lever deadlock



Forklift skids



Suitable for site

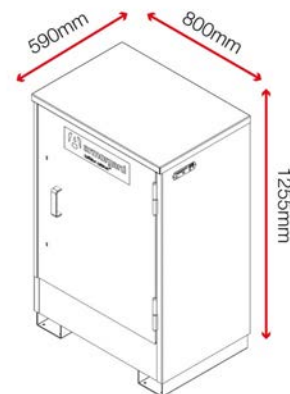


Built in handles

Product specifications

| | |
|-------------------------------|------------------------------|
| Weight | 74kg |
| Colour | Black grey: RAL 7021 |
| Suitable for | Site |
| Finished coating | Powder coated |
| Material & thickness | 1.6mm and 2mm steel |
| Quantity of keys | 2 keys |
| Suitable for vehicle mounting | Yes |
| How are castors fitted? | Quick-fix bolt on castor kit |
| Other sizes available | 4 other sizes |
| Qty of shelves as standard | 2 |

Dimensions - External dimensions includes protrusions



Optional extras - Contact Armorgard to find out more



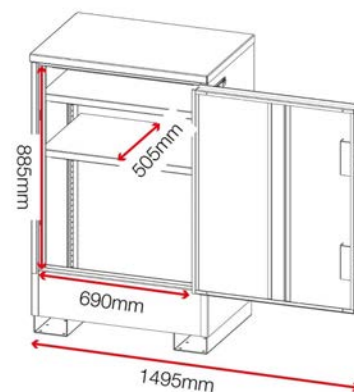
Fittings bins FCB



Shelf SHE-C2



Castor Kit CASS1



Disclaimer: all dimensions and weights are approximate