



tuffstor cabinet™

Product code: TSC3

- » Ultra-tough cabinet designed to keep tools and equipment secure.
- » Features two height-adjustable shelves.
- » Heavy-duty doors with fixed hinges and anti-jemmy protection.



Product features



2x 5-lever deadlock



Forklift skids



Suitable for site

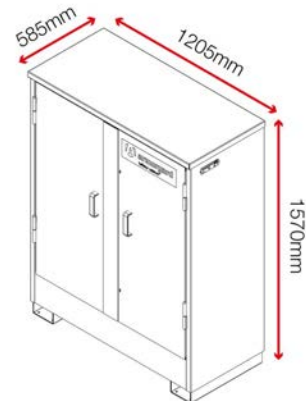


Built in handles

Product specifications

Weight	113kg
Colour	Black grey: RAL 7021
Suitable for	Site
Finished coating	Powder coated
Material & thickness	1.6mm and 2mm steel
Quantity of keys	2 keys
Suitable for vehicle mounting	Yes
How are castors fitted?	Quick-fix bolt on castor kit
Other sizes available	4 other sizes
Qty of shelves as standard	2

Dimensions - External dimensions includes protrusions



Optional extras - Contact Armorgard to find out more



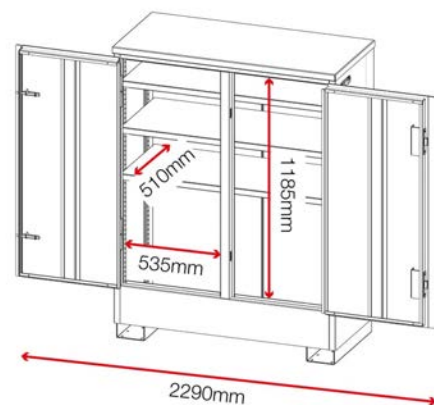
Fittings bins FCB



Shelf SHE-C3



Castor Kit CASS1



Disclaimer: all dimensions and weights are approximate