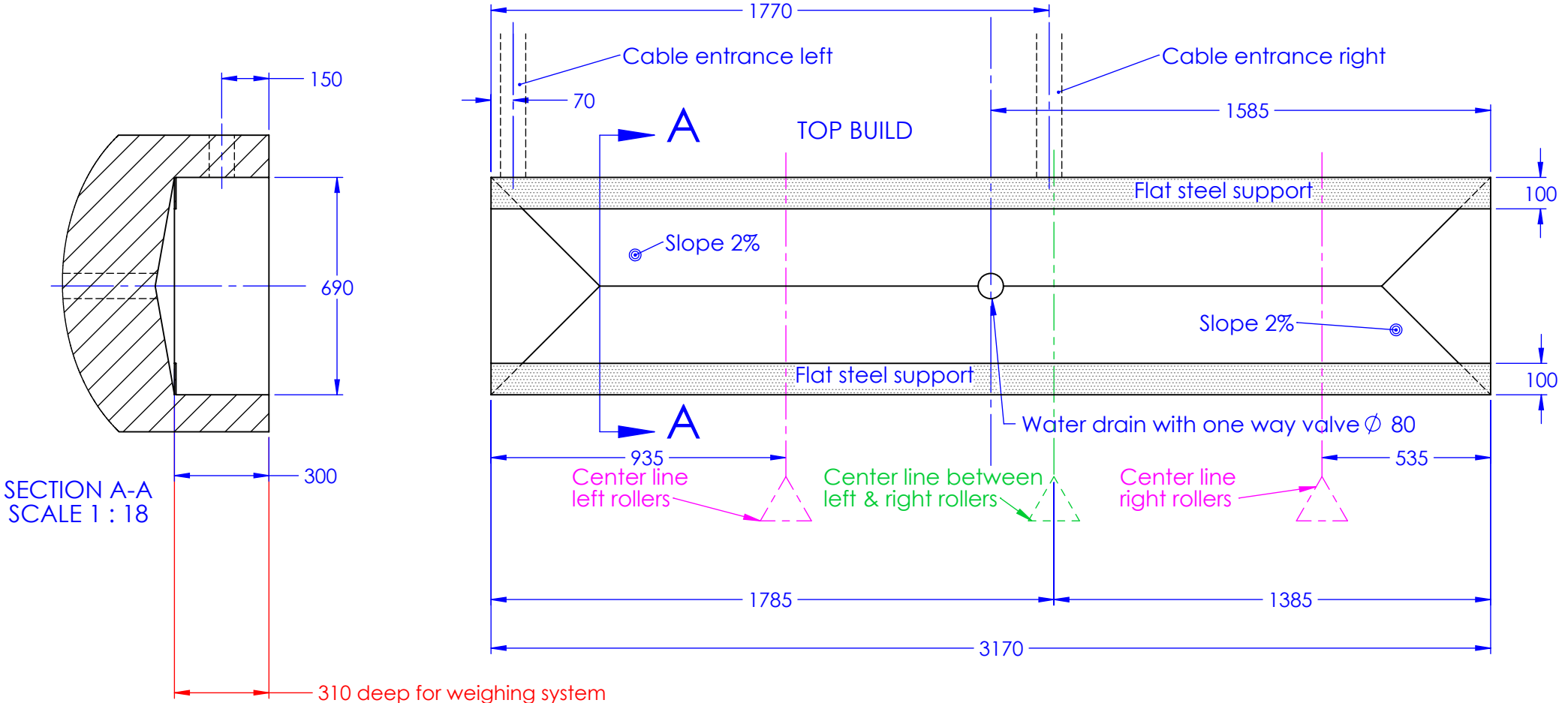


NOTES:

1. Dimensions in millimetres. (1000mm = 1m)
2. General tolerance of dimensions in the drawing: - 0 + 10mm.
3. Admissible floor load: >30 kN/m².
4. Recommended distance between RBT and display: 10m.
5. Use PVC conduits of 80mm diameter between pit and display.
6. Use cable entrances (A) and/or (B) for position of conduits.
Single conduit for all cables at entrance (A) or (B) is possible.
7. The lower end of the left short side of each bed is open for 140mm.
Conduits can also be routed through this side.
8. Flat surface of 100mm wide supports the chassis.
9. Pit edging frame available as an option.
10. Equipment dimensions - each bed: 1440 x 660 x 300 mm
11. Equipment dimensions with weighing system - each bed: 1440 x 660 x 310mm
12. Electrical connection: 3 phase 400V / 50Hz / 32A. Motors 2 x 4kW.



SECTION A-A
SCALE 1 : 18

DISCLAIMER:
This drawing is intended as a general suggestion of a floor layout. The final construction must be carried out by your local installer who will be responsible for complying with legal and safety requirements.

DOC:BOS0022

		DRAWN IN ACCORDANCE WITH B.S.308		Material		Drawn D-Rodríguez		Title D700 / 701 / 702 Groundwork schematic - No installation cartridge	
		DIMENSIONS IN MILLIMETRES				Date 11/03/2016			
		DO NOT SCALE		Finish		Approved B-Calcutt		Drg. No. 160301_1	
		Tolerances Unless Otherwise Stated		Original Scale		FIRST ANGLE PROJECTION		Issue A	
		Angular ±				© This print is the property of Boston Garage Equipment and is a confidential document. It must not be traced copied or exhibited to a third party without permission in writing.			
		UNLESS OTHERWISE STATED							
		REMOVE ALL SHARP CORNERS							
Issue	Date	Amendment							