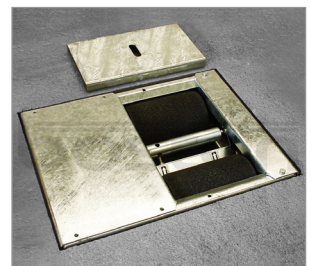
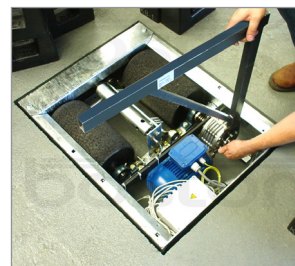
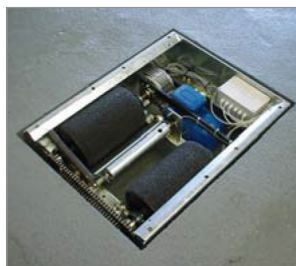


Motorcycle Braketesters

Product Codes R100-1P / R100-3P

Boston's Rider 100 is a compact stand-alone roller braketester. Quick and simple to install, the single bed is operated by a self-contained control console combined with a handheld infra-red remote control.

Exceeding current specifications and with a host of standard features, the single phase and three phase models offer bi-directional rollers and a built-in four point weighing system. With the Rider 100 you can also test sidecars and check for ovality. Calculation of brake efficiency is automatic and a printer can easily be added at any time.



Product Features

- ✓ Single or three phase models
- ✓ Fully galvanised roller bed
- ✓ Bi-directional rollers
- ✓ Built-in four point weighing system
- ✓ Automatic brake efficiency calculation
- ✓ Sidecar testing
- ✓ Ovality testing
- ✓ Approved for MOT testing classes 1 & 2
- ✓ Pedestal or wall mounted control panel
- ✓ Large clear LED display matrix
- ✓ Secondary back-up controls on main console
- ✓ Quick and simple installation
- ✓ 2 years warranty
- ✓ Optional printer

Motorcycle Braketesters

Technical Specifications

	R100-1P	R100-3P
Power	1ph - 230V / 50 Hz / 16A	3ph - 415V / 50 Hz / 16A
Motor	1.5 kW - Dual Directional	1.5 kW - Dual Directional
Brake Testing Speed	2.9 km/h	2.9 km/h
Weighing System	4 Point	4 Point
Max. Brake Force	300 kgf	300 kgf
Max. Wheel Load	750 kg	750 kg
Friction Roller Surface	0.9 μ dry, > 0.6 wet	0.9 μ dry, > 0.6 wet
Electronics	Micropresser Controlled	Micropresser Controlled
Communication	RS232	RS232
Operator Control	Infra-red Remote Control	Infra-red Remote Control

Measurements (millimetres)

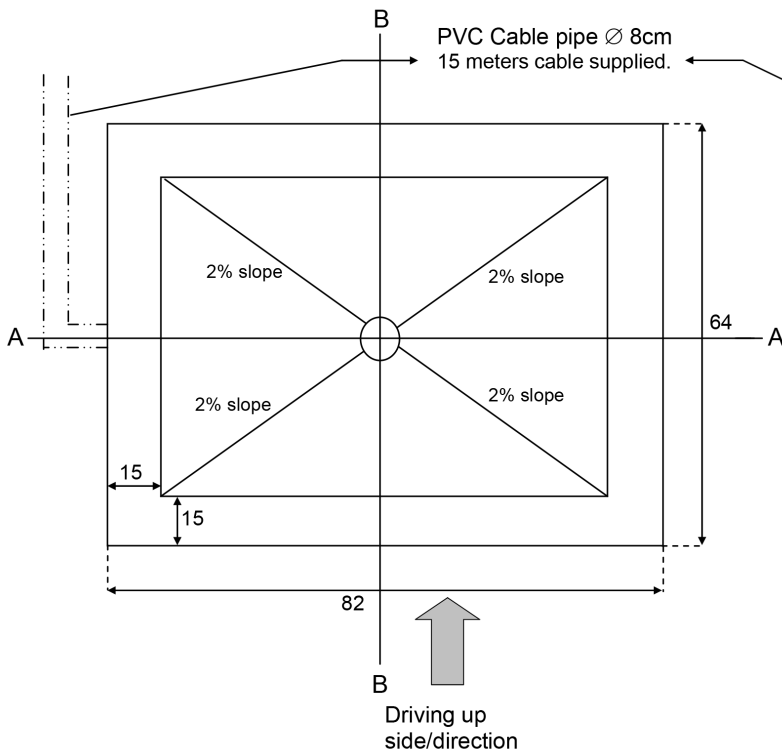
	R100-1P	R100-3P
Roller Width	300	300
Roller Centre Dimesions	400	400
Chassis Dimensions (L, W, H)	800 x 620 x 310	800 x 620 x 310
Display Dimensions (L, W, H)	670 x 500 x 120	670 x 500 x 120

Motorcycle Braketesters

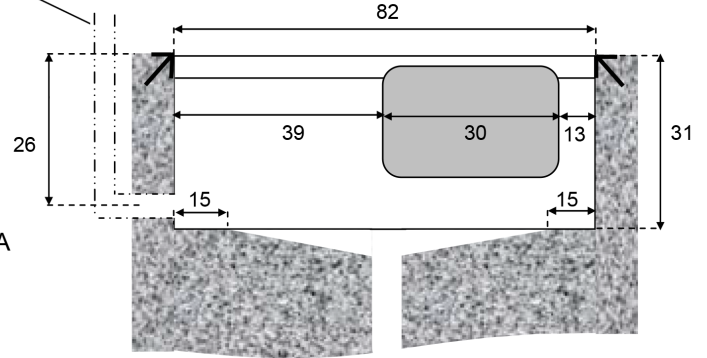
Schematics R100-1P / R100-3P

Note: All schematic dimensions are in cm
Overall net pit dimensions: 82 x 64 x 31 cm
Overall net equipment dimensions: 80 x 62 x 31 cm

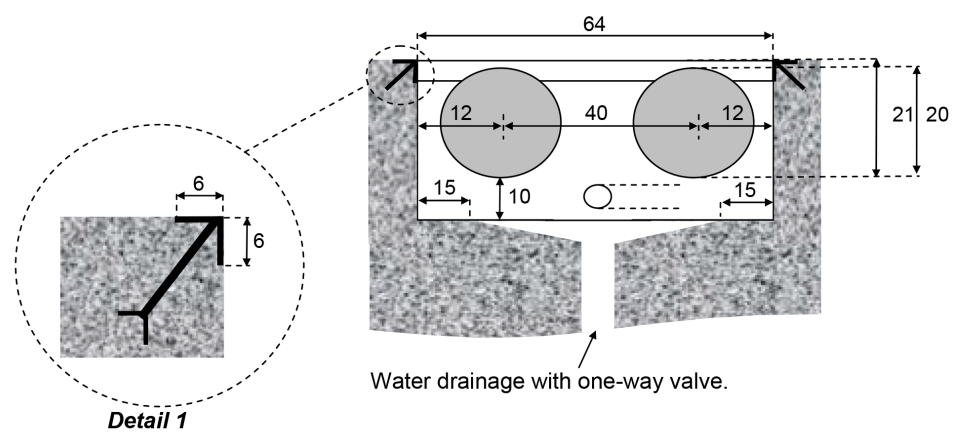
Floor Plan Area: Top View



Section A-A: Front View



Section B-B: Side View



Boston makes every effort to ensure the accuracy of our product drawings and measurements. However, we reserve the right to correct any errors, inaccuracies or omissions and to change or update information at any time without prior notice.