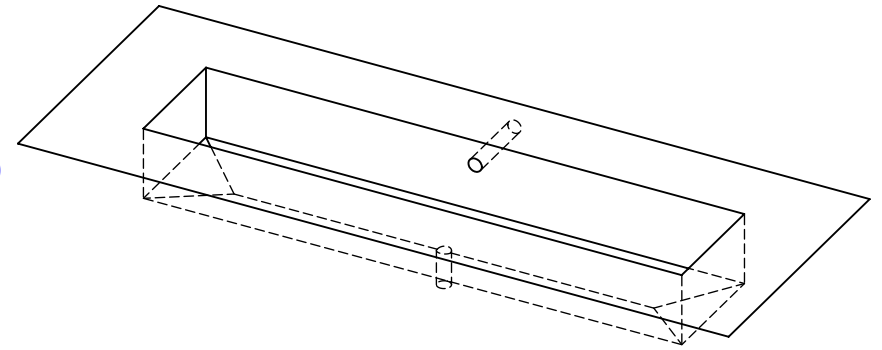
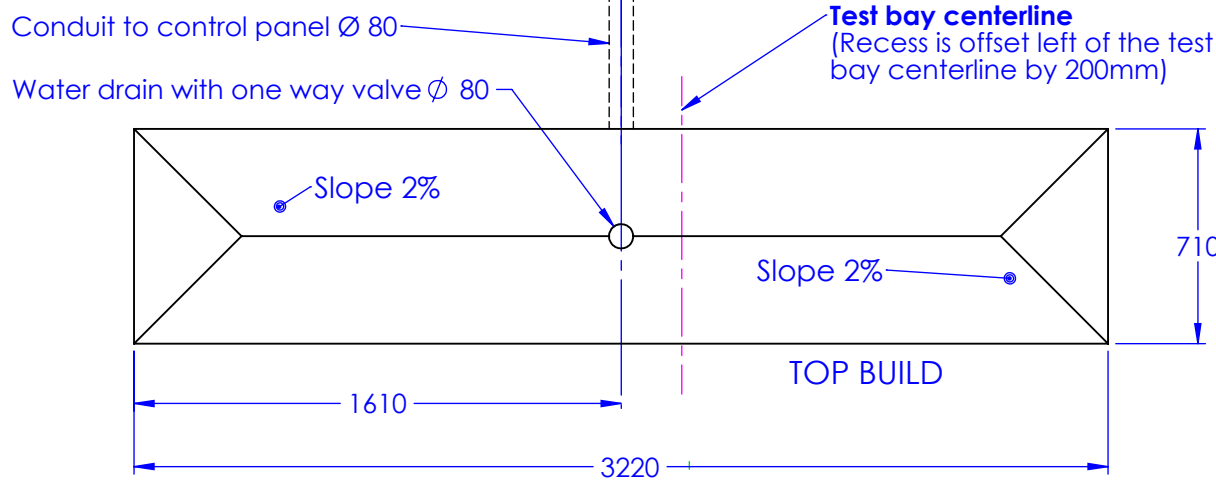
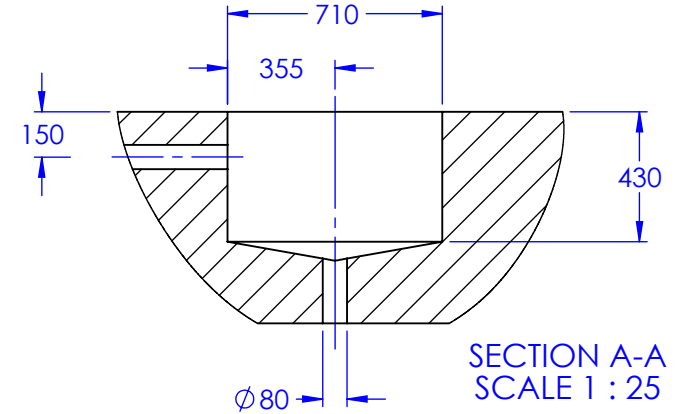
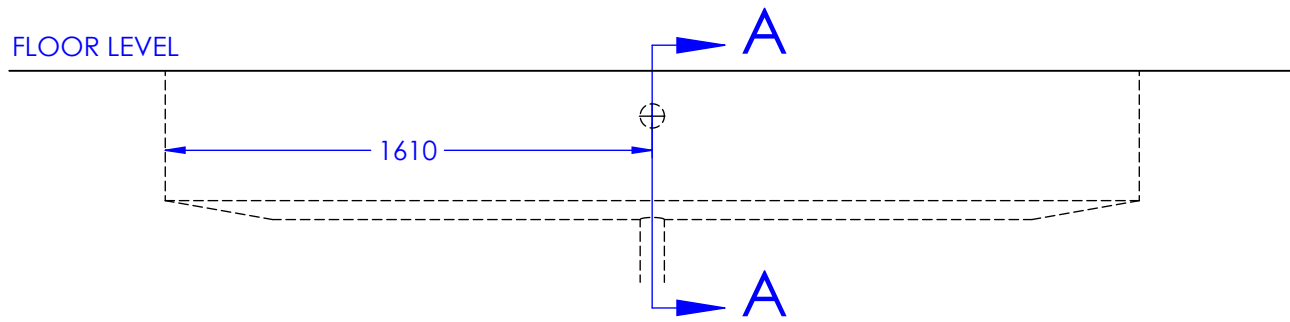


NOTES:

1. Dimensions in millimetres. (1000mm = 1m)
2. General tolerance of dimensions in the drawing: ± 5 mm.
3. Admissible floor load: >30 kN/m².
4. Recommended distance between RBT and display: 10m.
5. Use PVC conduits of 80mm diameter between pit and display.
6. The centerline of this excavation is offset from the test bay by 200mm to the left.
7. This drawing gives the min. excavation size for a RBT installation cartridge.
8. The hole will need to be back-filled with a "wet mix" concrete to fully support the installation cartridge.
9. When the cartridge is installed, the concrete must slope towards the drain with a min. gradient of 2%.
10. The cable entry and drainage holes are suggestions.
11. Either conduit route, straight through or under, can be used.
12. Equipment dimensions - each bed: 1440 x 660 x 300mm.
13. A separate dedicated 3-phase mains supply 400V / 50Hz / 32A with Ground + Neutral is required.
14. D702 Motors: 2 x 4kW.
15. A 4-pole safety switch should be mounted on the wall at 150mm from the control panel.



This drawing is intended as a general suggestion of a floor layout. The final construction must be carried out by your local installer who will be responsible for complying with legal and safety requirements.

			DRAWN IN ACCORDANCE WITH B.S.308		DOC:BOS0382	Drawn D-Rodríguez		Title D702 Groundwork schematic - With Installation cartridge		
			DIMENSIONS IN MILLIMETRES			Date 15/03/2016		Drg. No. 160315_1		
			DO NOT SCALE			Approved B-Calcutt				
			Tolerances Unless Otherwise Stated			FIRST ANGLE PROJECTION				
			Angular \pm		Original Scale		© This print is the property of Boston Garage Equipment and is a confidential document. It must not be traced, copied or exhibited to a third party without permission in writing.			
			UNLESS OTHERWISE STATED							
Issue	Date	Amendment	REMOVE ALL SHARP CORNERS							