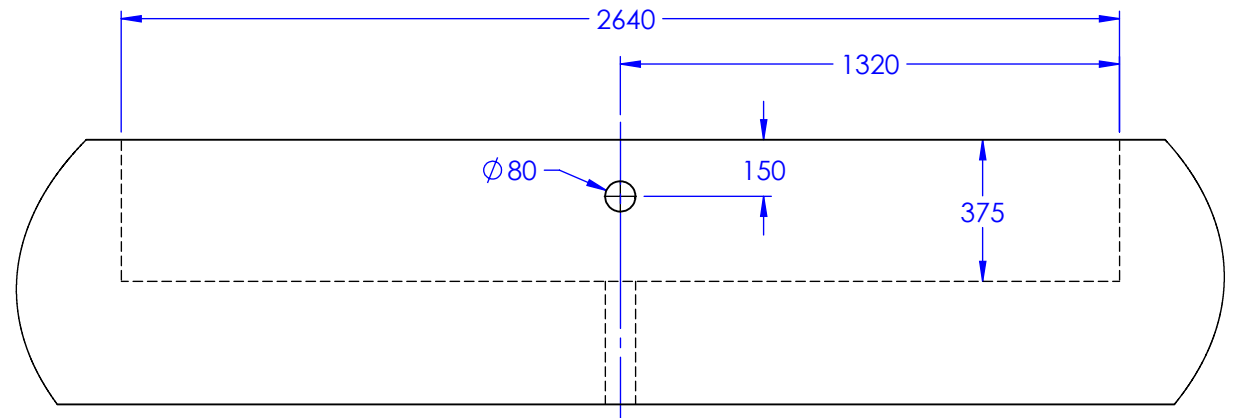
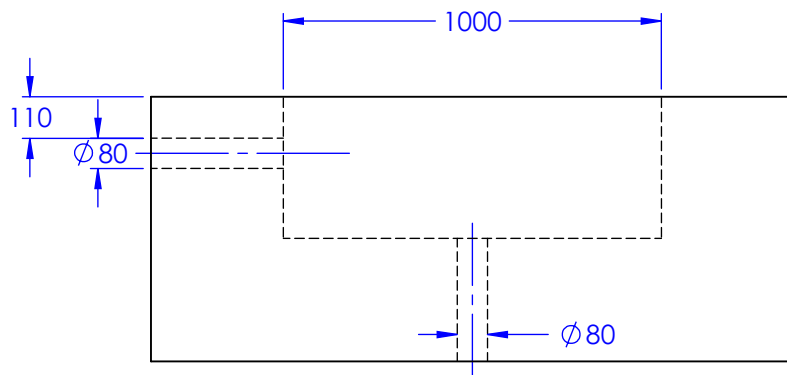
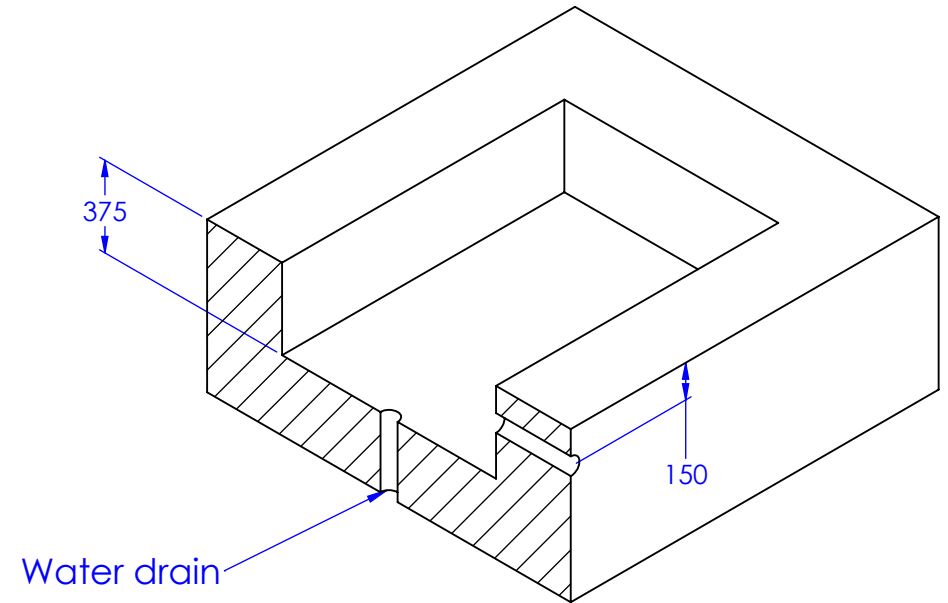
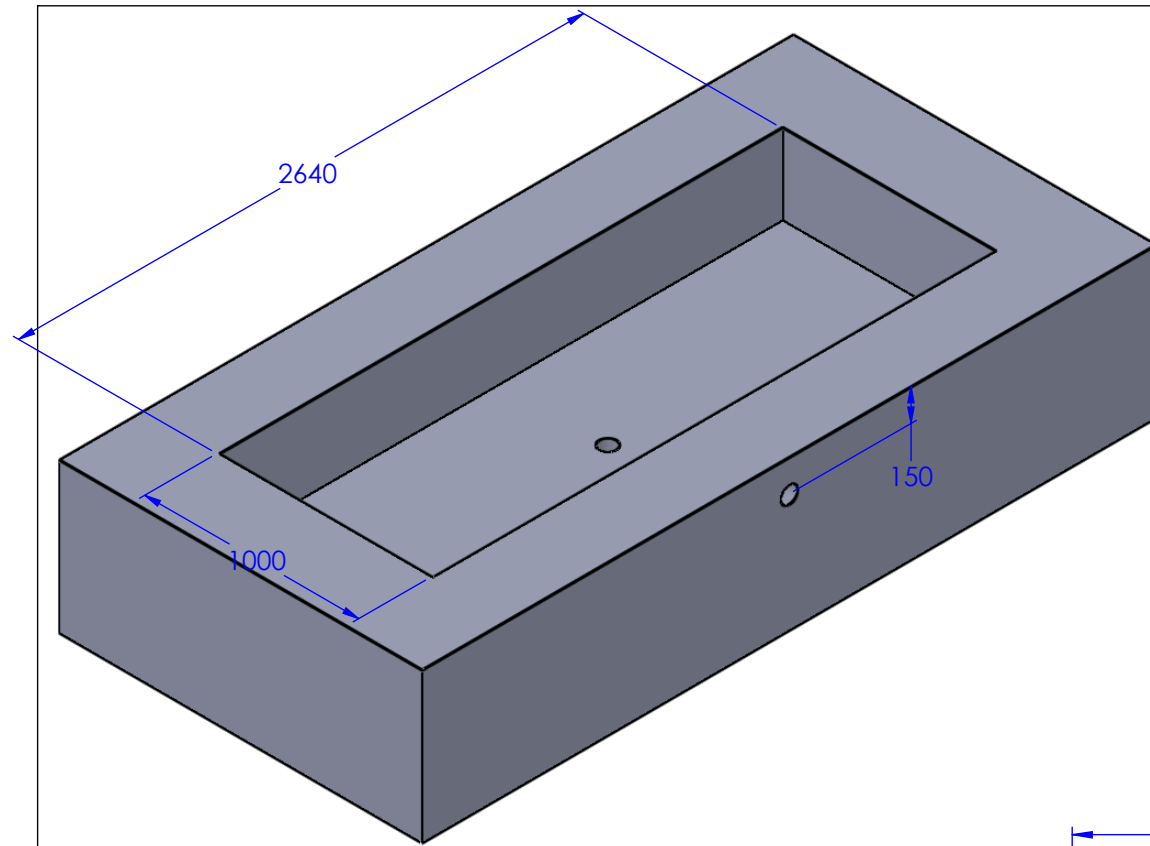


Installation cartridge
Groundwork Schematic



DOC: BOS0498

B	2/6/15	Increase dimensions	DRAWN IN ACCORDANCE WITH B.S.308	Material	Drawn	Title	
			DIMENSIONS IN MILLIMETRES		D-Rodríguez	D412 Groundwork Schematic - Installation cartridge	
			DO NOT SCALE	Finish	Date	Drg. No.	
			Tolerances Unless Otherwise Stated		02/06/2015	150519_1	
			Angular ±	Original Scale	Approved	Issue	
Issue	Date	Amendment	UNLESS OTHERWISE STATED		B-Calcutt	B	
			REMOVE ALL SHARP CORNERS		FIRST ANGLE PROJECTION		

boston
GARAGE EQUIPMENT

© This print is the property of Boston Garage Equipment and is a confidential document. It must not be traced copied or exhibited to a third party without permission in writing.