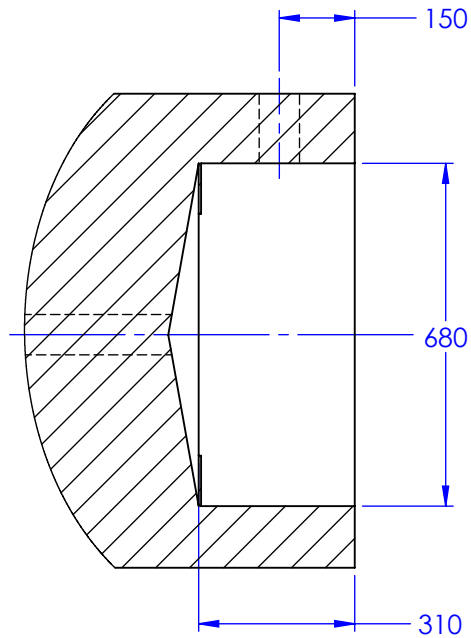
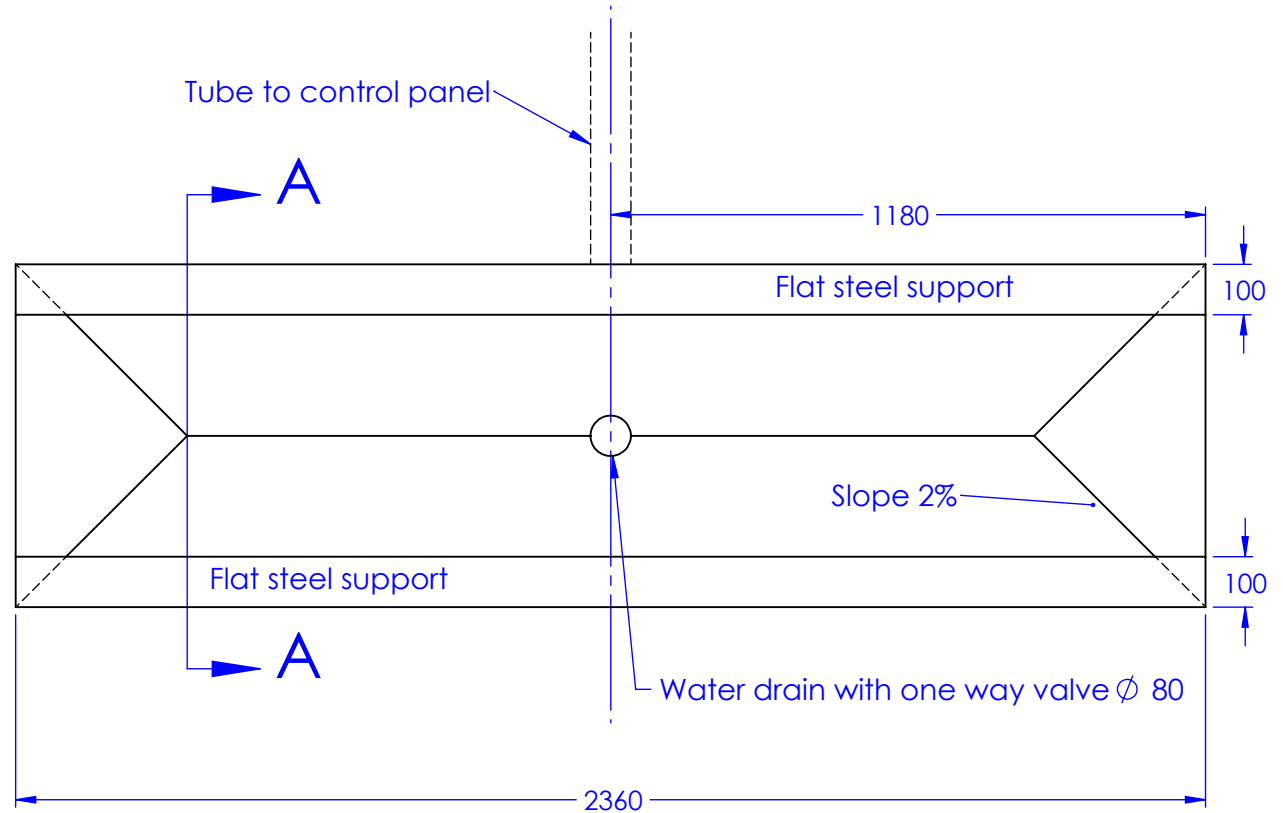



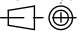
D412 Groundwork Schematic
(No installation cartridge)



SECTION A-A
SCALE 1 : 15



DOC: BOS0512

			DRAWN IN ACCORDANCE WITH B.S.308	Material	 <p>© This print is the property of Boston Garage Equipment and is a confidential document. It must not be traced, copied or exhibited to a third party without permission in writing.</p>	Drawn D-Rodríguez	Title D412 Groundwork Schematic -No Installation cartridge	
			DIMENSIONS IN MILLIMETRES	Finish		Date 29/01/2016	Drg. No. 160127_3	
			DO NOT SCALE			Original Scale		
			Tolerances Unless Otherwise Stated				FIRST ANGLE PROJECTION 	
			Angular ±					
Issue	Date	Amendment	UNLESS OTHERWISE STATED					
			REMOVE ALL SHARP CORNERS					