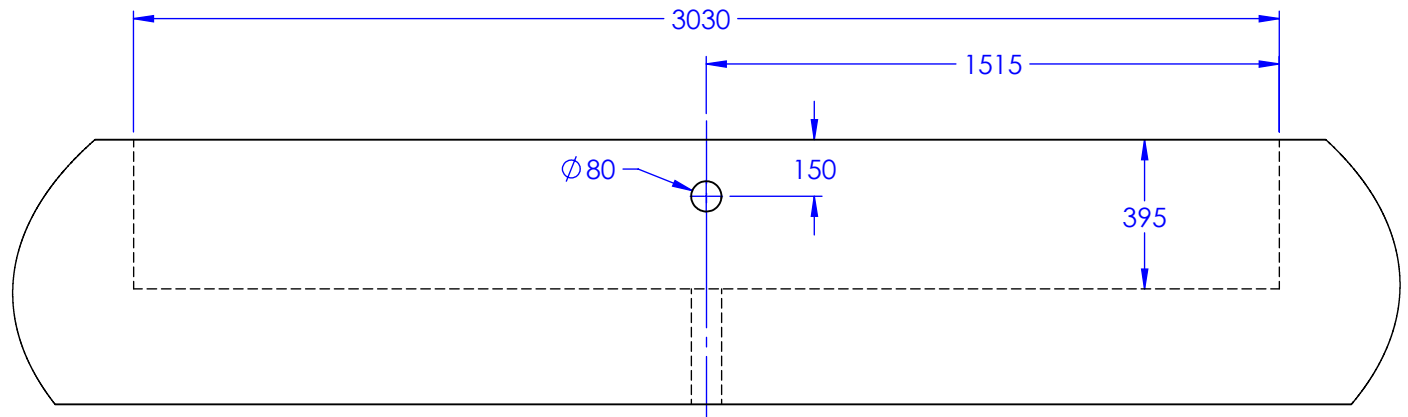
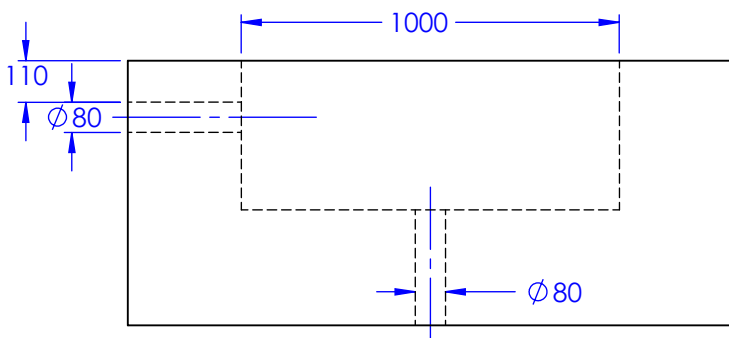
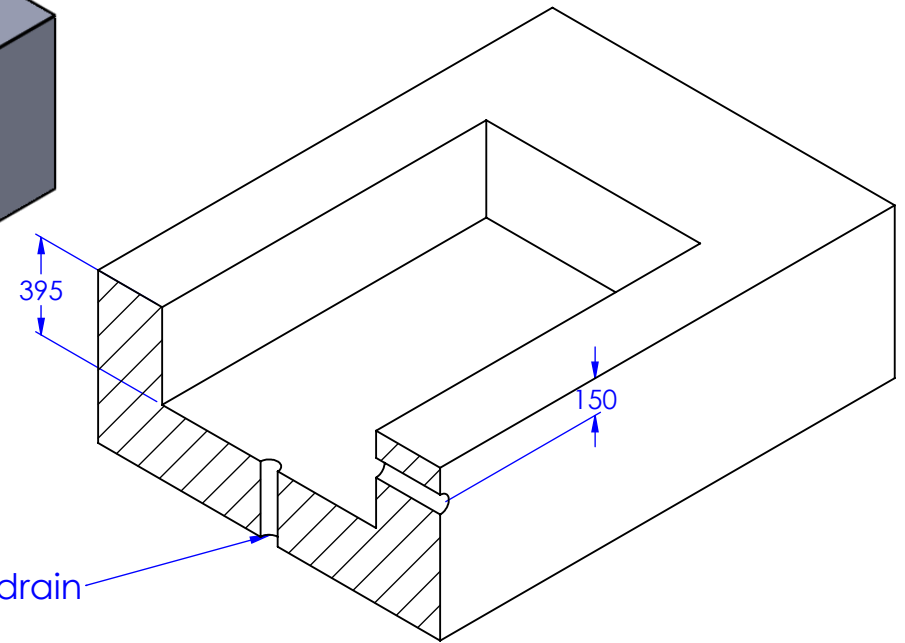
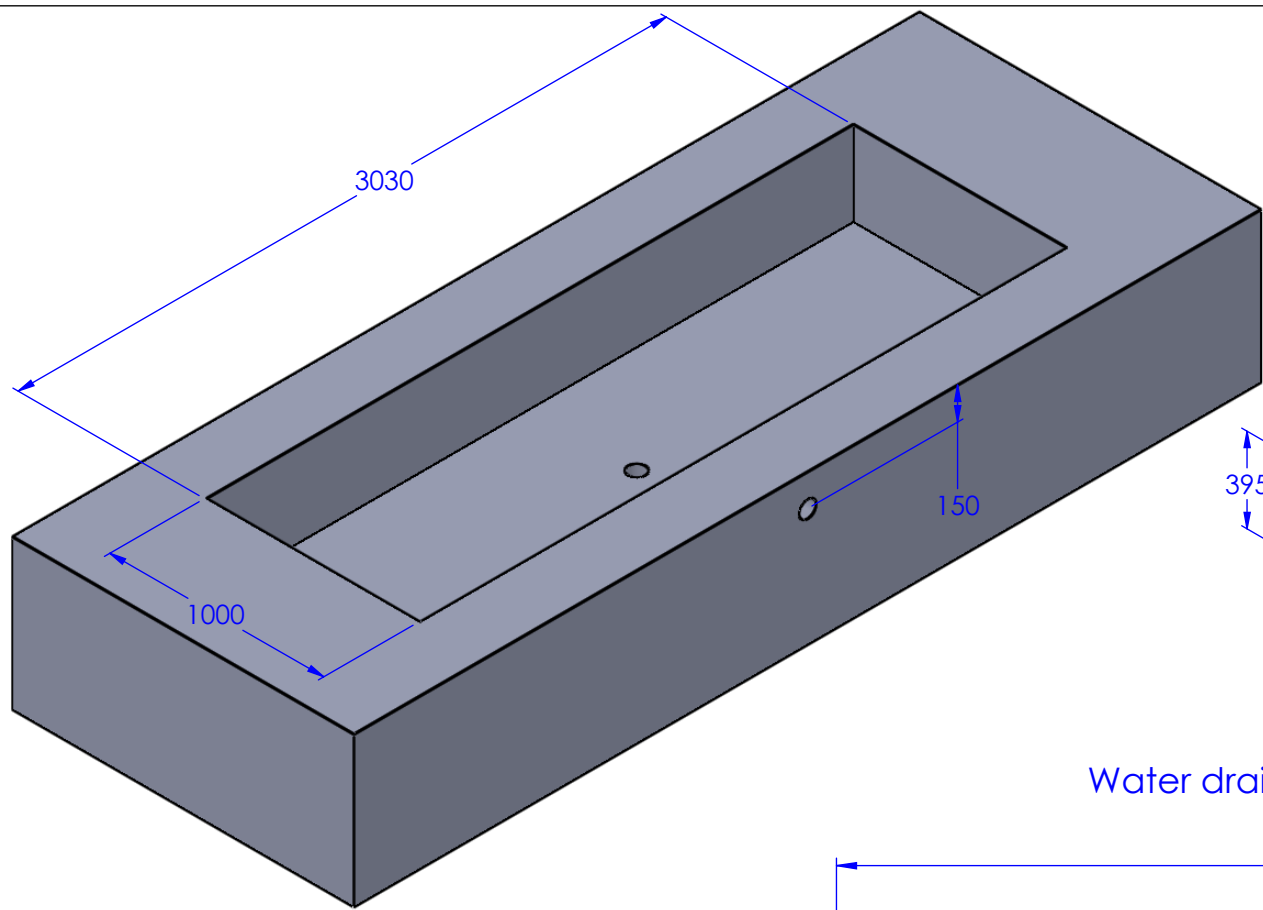


Installation cartridge
Groundwork Schematic



DOC: BOS0514

B	2/6/15	Update dimensions	DRAWN IN ACCORDANCE WITH B.S.308	Material	Drawn	Title	
C	26/1/16	Update dimensions	DIMENSIONS IN MILLIMETRES	Finish	D-Rodríguez	D712 Groundwork Schematic - Installation cartridge	
			DO NOT SCALE		Date	29/01/2016	Drg. No.
			Tolerances Unless Otherwise Stated	Original Scale	Approved	150519_2	C
			Angular ±		B-Calcutt		
Issue	Date	Amendment	UNLESS OTHERWISE STATED				
			REMOVE ALL SHARP CORNERS				

boston
GARAGE EQUIPMENT

© This print is the property of Boston Garage Equipment and is a confidential document. It must not be traced copied or exhibited to a third party without permission in writing.