



AC Hydraulic^{A/S}

NO COMPROMISE





VM TANKTRAILER
VM TARM A/S

VM Tarm a/s

VM

VM Tarm



THE NEXT BIG LEAP

AC Hydraulic has departed from the traditional understanding of inground lifts and created the lift of the future

The lift is delivered ready for use in steel cassettes with 2, 3, 4 or 5 lifting rams

The lift has a capacity from 30–75 tonnes

A level workshop floor and optimum mobility offers the best possible working conditions and improved efficiency, safety and profitability

Supplied standard with telescopic lifting rams to increase lifting heights and at the same time reducing construction depth

The result is a simple installation at lower costs



SIMAVIL
EX
SIMAVIL
SIMAVIL
SIMAVIL
SIMAVIL

SIMAVIL
02.99.58.84.91

SIMAVIL
LEVAGE
35500
MINIAC MONTVAN
TEL: 02 99 58 84 91
Fax: 02 99 58 20 84
Mail: contact@simavil.com

SIMAVIL

SIMAVIL

Worker in blue shirt

Large black pipe

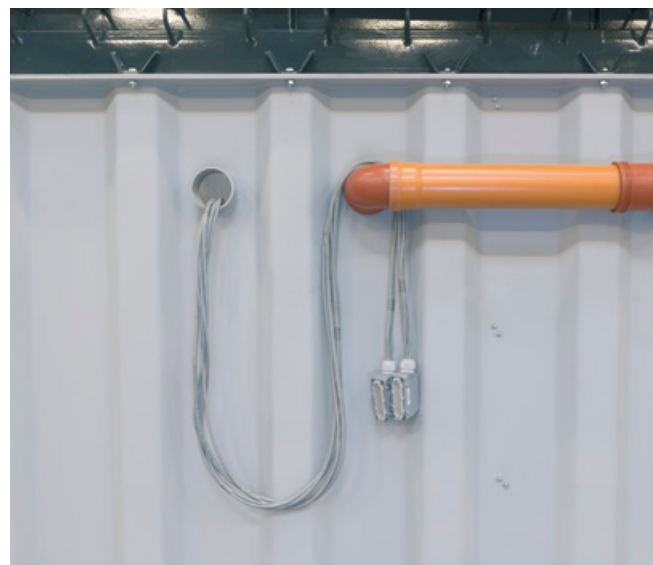


PLUG & PLAY

After digging and concreting the foundation it is only a question of connecting the steering box cable

The low construction depth reduces costs considerably compared to traditional inground lifts

The watertight self-supporting steel cassette ensures a stable shuttering when refilling



EASY CONNECTION

The cable is connected to the steering box and hereafter the lift is fully operational



TOUCH SCREEN CONTROL

User friendly remote control offers information about the operation of the lift, ram positions as well as on safety and maintenance

Lifting, lowering and positioning is easily controlled by the remote control

The lifting rams can be used either one by one or synchronized









SAFETY AND STABILITY

Square lifting rams ensure maximum stability

2 independent hydraulic circuits in each lifting ram offer optimum safety: One circuit will hold the entire load if necessary

The hydraulic circuits are fully protected inside the lifting rams

In case of power failure lowering is still possible by connecting a 24V battery

CE-marked: comply with European Standard EN 1493



ALWAYS THE OPTIMUM WORKING HEIGHT

Lifting height can be adjusted to suit
any possible lifting job

The cross beams can be stored at floor level
in full pit length

The lift is particularly suitable for workshops servicing
many different vehicle types







ROBUST ROLLING COVER WITH 7 T CAPACITY

Robust rolling cover made in non-slip aluminium profiles provides a nice and level workshop floor

Cross beams and rolling cover are always level with the workshop floor in the full pit length no matter the position of the cross beams

The cassette is designed with pump sump to absorb oil and water



AC

15000 kg
33000 lbs

LIFTING SADDLES AND CROSS BEAMS

Supplied standard with various lifting saddles for the cross beams

This ensures lifting of practically all types of vehicles

Customized lifting saddles are optional

STANDARD ACCESSORIES



Lifting saddle 40 mm



Lifting saddle 90 mm



Lifting saddle 150 mm

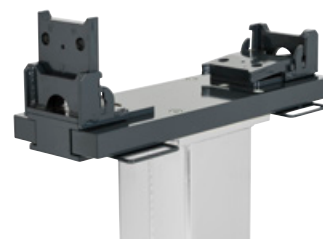


Extension 100 mm

OPTIONAL ACCESSORIES



Lifting saddle for differential gear



Multi adjustable lifting saddle



Low alu saddle



Cross beam

2 LIFTING RAMS

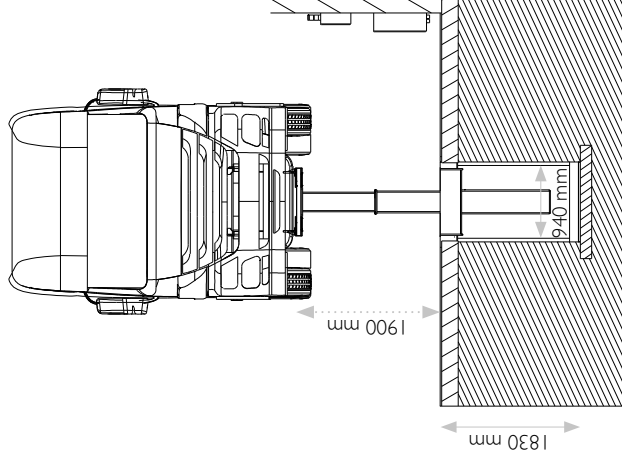
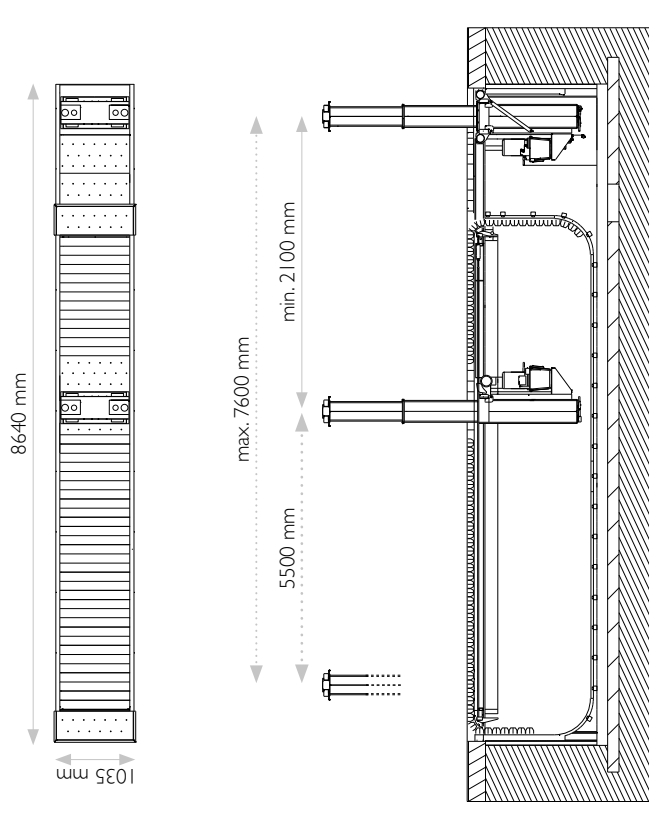
The lift is used for trucks, tractor units and buses with one front axle and up to three rear axles

The front ram is fixed; the rear is moveable

All cross beams and rolling cover are lowered to floor level along the total pit length

Plug & Play - Factory tested with columns mounted in the cassette ready for installation

UL2	
Capacity	30 t
Stroke	1900 mm
Rams / moveable	2 / 1
Cassette length	8640 mm
Cassette width	1035 mm
Speed up/down	80 sec
Power requirement	12 kw
Liter oil per ram	25 l
Weight	4,6 t



3 LIFTING RAMS

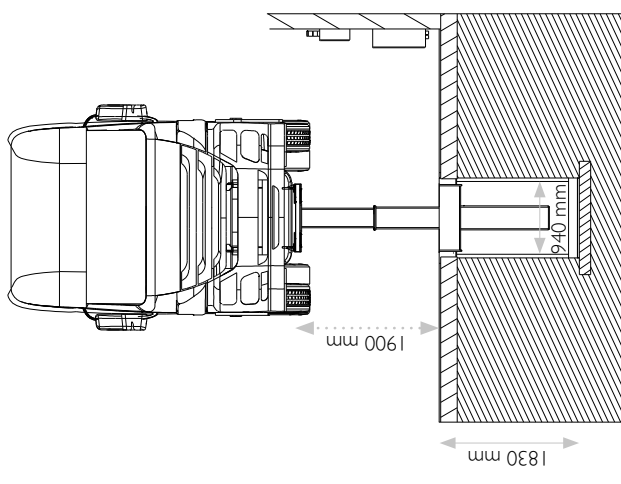
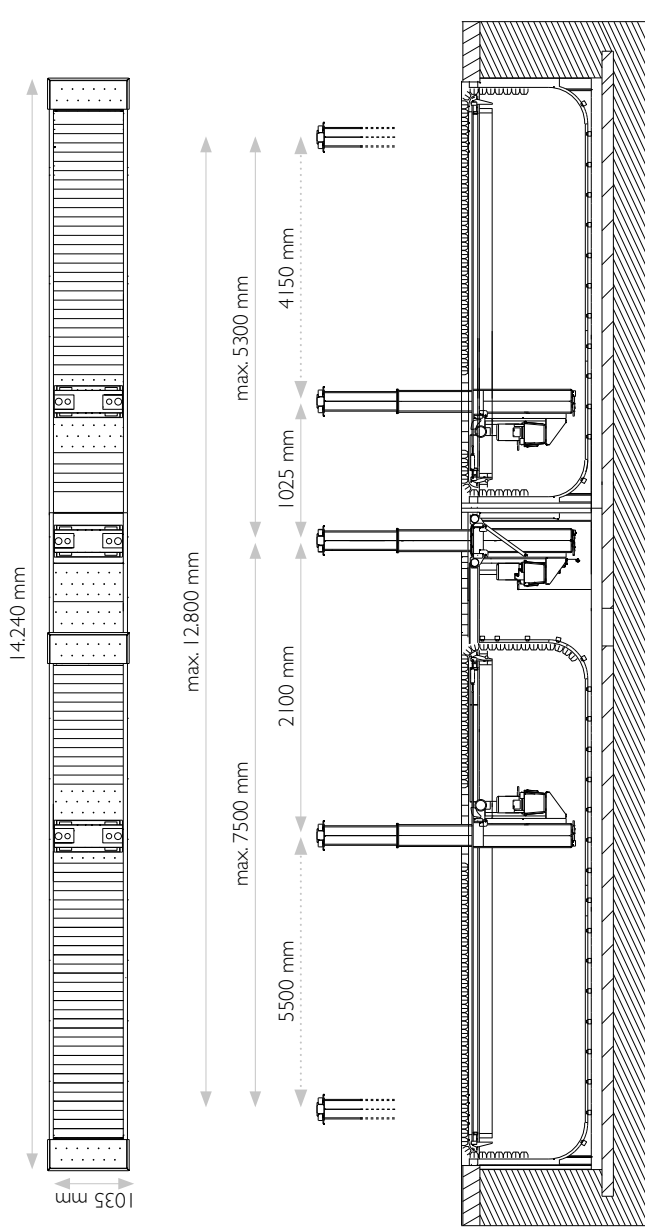
The lift is used for all kind of vehicles, articulated buses and trucks with or without trailers

The middle ram is fixed; the front and rear are moveable

All cross beams and rolling cover are lowered to floor level along the total pit length

Plug & Play - Factory tested with columns mounted in the cassette ready for installation

UL3	
Capacity	45 t
Stroke	1900 mm
Rams / moveable	3 / 2
Cassette length	14.240 mm
Cassette width	1035 mm
Speed up/down	80 sec
Power requirement	18 kw
Liter oil per ram	25 l
Weight	7 t



4 LIFTING RAMS

The lift is used for trucks, tractor units and buses with one front axle and up to three rear axles

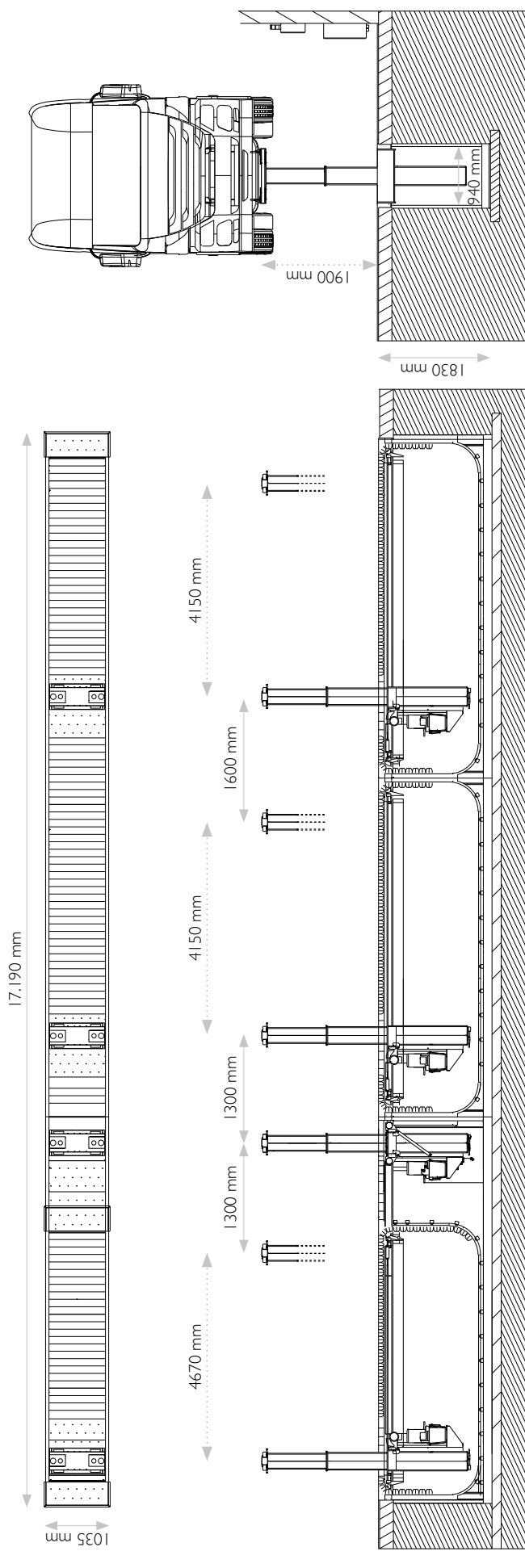
One ram is fixed; the others are moveable

All cross beams and rolling cover are lowered to floor level along the total pit length

Supplied with 2 touch remotes, hereby the lift can be used as 2 working places

Plug & Play - Factory tested with columns mounted in the cassette ready for installation

UJL4	
Capacity	60 t
Stroke	1900 mm
Rams / moveable	4 / 3
Cassette length	17.190 mm
Cassette width	1035 mm
Speed up/down	80 sec
Power requirement	24 kw
Liter oil per ram	25 l
Weight	9 t



5 LIFTING RAMS

An innovative and flexible lift for all future lifting jobs

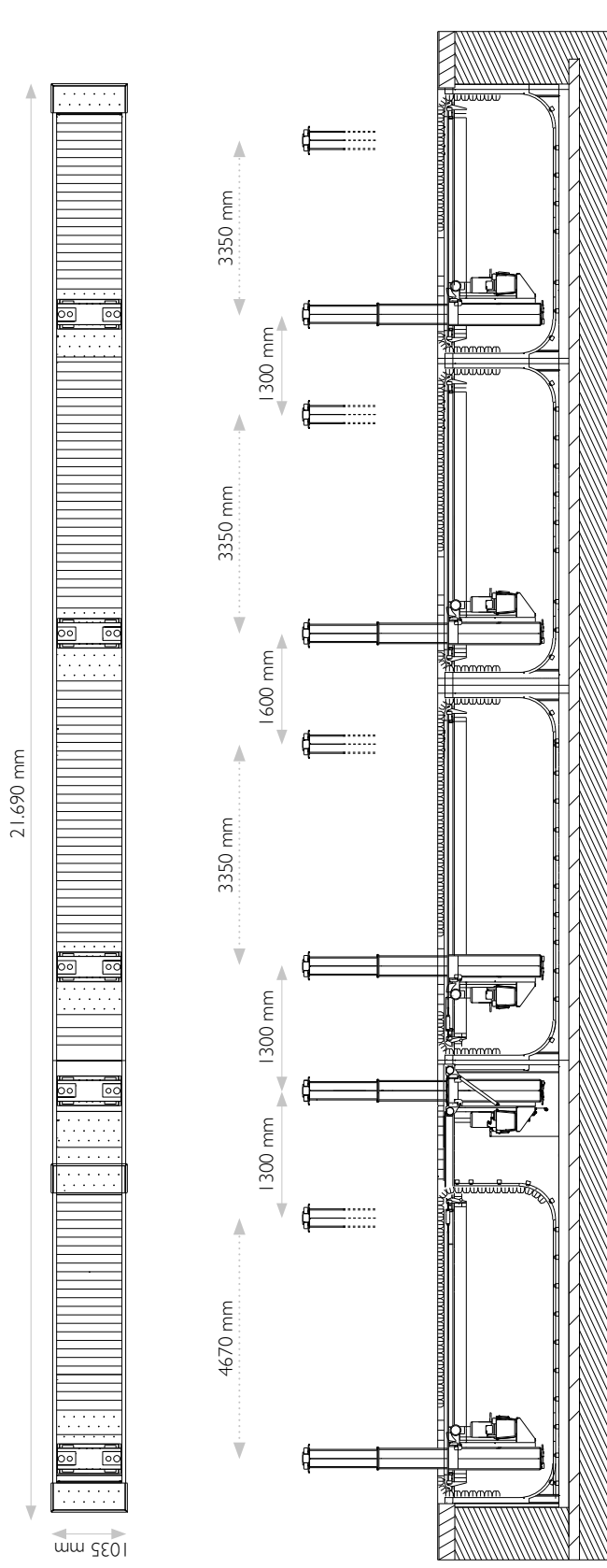
One ram is fixed; the others are moveable

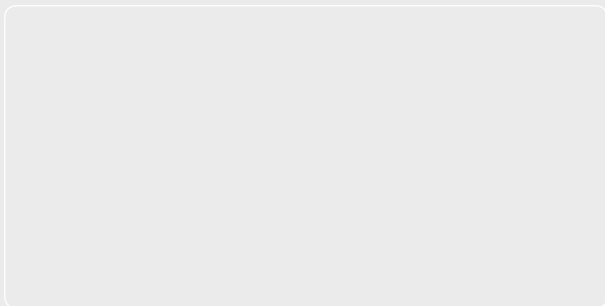
All cross beams and rolling cover are lowered to floor level along the total pit length

Supplied with 2 touch remotes, hereby the lift can be used as 2 working places

Plug & Play - Factory tested with columns mounted in the cassette ready for installation

UL5	
Capacity	75 t
Stroke	1900 mm
Rams / moveable	5 / 4
Cassette length	21.690 mm
Cassette width	1035 mm
Speed up/down	80 sec
Power requirement	30 kw
Liter oil per ram	25 l
Weight	11 t





AC Hydraulic A/S

Fanøvej 6 • DK-8800 Viborg • Tel. +45 8662 2166 • Fax +45 8662 2988
E-mail: ac@ac-hydraulic.dk • www.ac-hydraulic.com