

Mechanical Wheel Trolley

Product Code: BWT1500-NT

Boston's 1.5 Tonne mechanical wheel trolley is ideal for trucks, tractors and agricultural vehicles; it enables just one person to easily remove deep tread tyres and large machine wheels measuring from 1000 to 2400 mm in diameter.

The mechanical operation provides steady, precise lifting and lowering, and the wheel trolley is easy to manoeuvre thanks to its four heavy-duty rotating casters. Furthermore, the wheel retaining strap keeps the removed tyre fixed firmly in place and allows the operator to safely and freely move the trolley as required.



Product Features

- ✓ Ergonomic wheel trolley for the easy removal of large wheels and deep-tread / agricultural tyres
- ✓ Side-adjustable lifting arms for wheel sizes 1000 - 2400 mm diameter
- ✓ Robust wheel retaining ratchet strap for safe manoeuvring of the trolley
- ✓ Precise and easy lifting / lowering by means of mechanical operation
- ✓ Excellent manoeuvrability and easy to use thanks to an optimum handle position and industrial strength castor wheels
- ✓ Lifting arms fitted with 3 roller bearings to ensure easy positioning of the wheel
- ✓ The handle for the hydraulic pump allows you to expand or retract the jaws with ease
- ✓ Rotates the wheel both ways, making the job of aligning wheel studs to the hub a simple and precise operation
- ✓ Easy access to the wheel nuts, (this is superior to models that use a post and bracket to go over the wheels)

Mechanical Wheel Trolley

Technical Specifications

BWT1500-NT

Load Capacity	1.5 T
Trolley Weight	300 kg

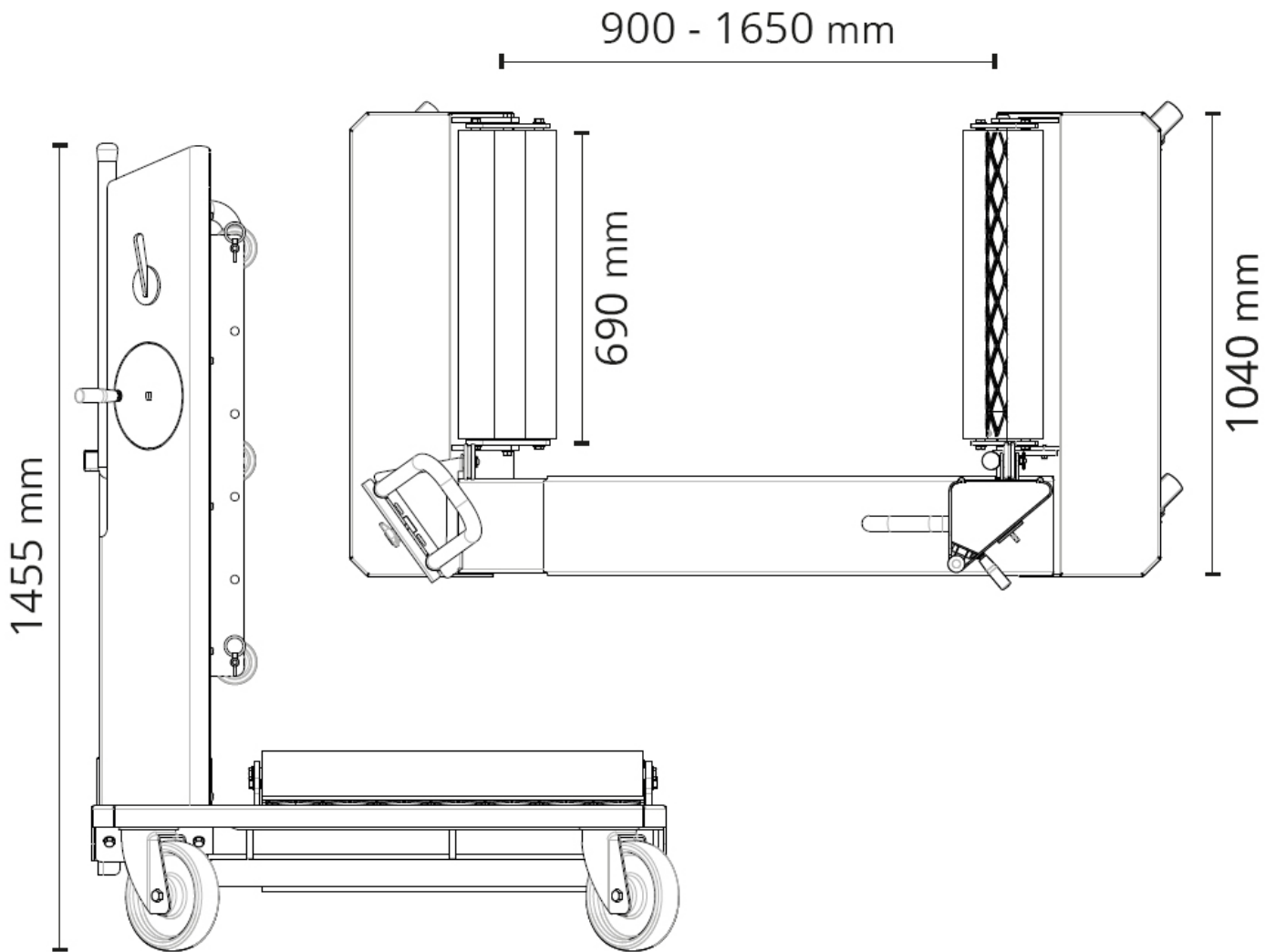
Measurements (millimetres)

BWT1500-NT

Height	1455
Length	1040
Width	1625 - 2375
Roller Length	690
Roller Distance	900 - 1650
Roller Diameter	Ø 80
Wheel Sizes	Ø 1000 - 2400

Mechanical Wheel Trolley

Schematic BWT1500-NT



Boston makes every effort to ensure the accuracy of our product drawings and measurements. However, we reserve the right to correct any errors, inaccuracies or omissions and to change or update information at any time without prior notice.