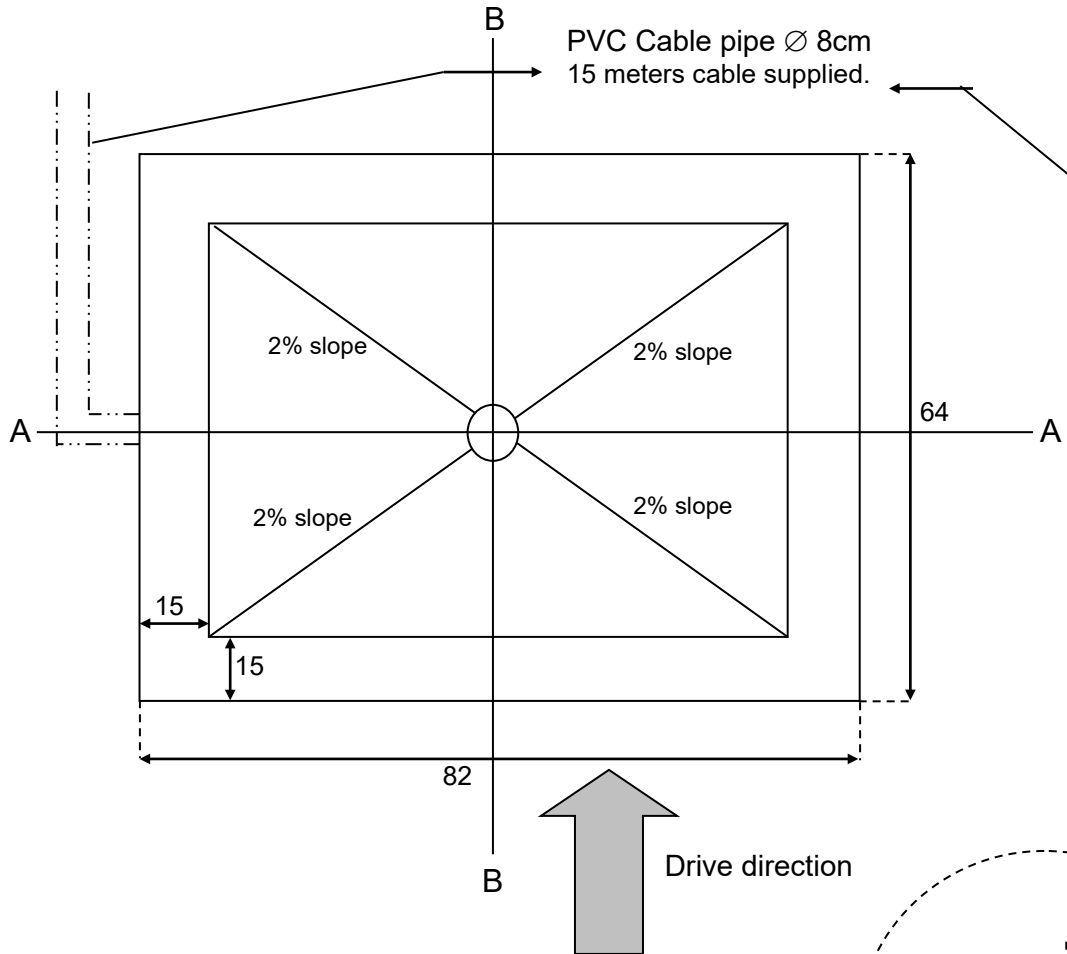
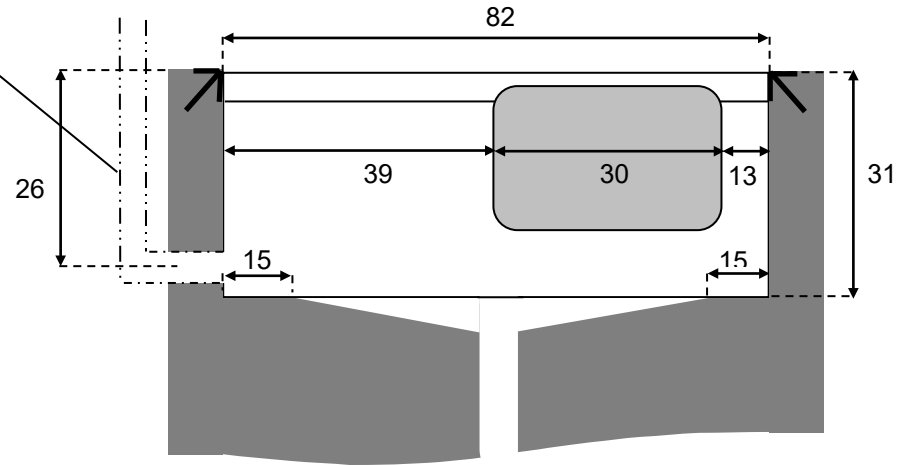


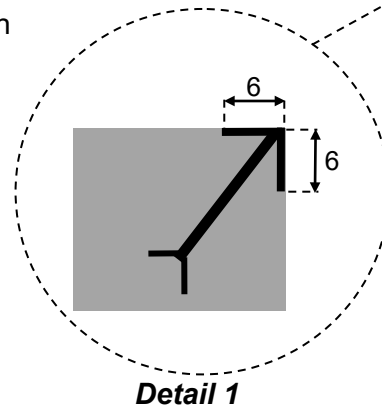
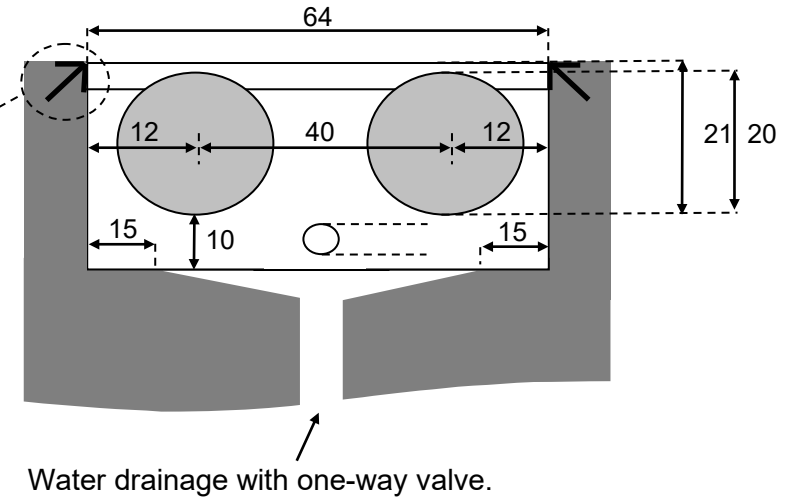
R112 Motorcycle Brake Tester Installation: Plan view



Section A-A: front view



Section B-B: side view



Detail 1

Doc. No.	BOS0662
Date	15.08.2024
Dimensions	cm
Power	3Ph 415V / 50Hz / 16A 1Ph 230V / 50Hz / 16A
Pit Dimensions	82 x 64 x 31 cm
Chassis Dimensions	80 x 62 x 31 cm