



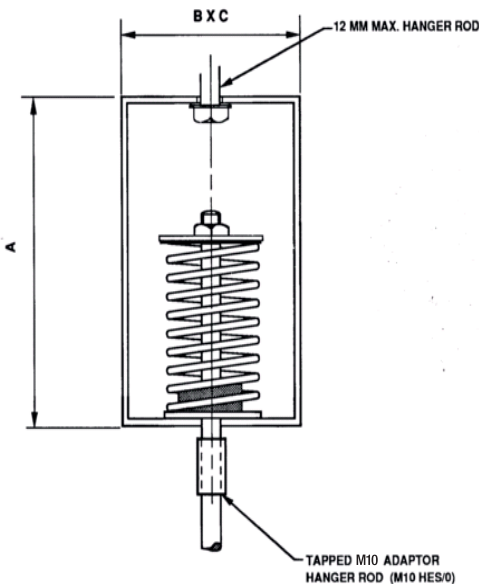
Product Model

Anti-Vibration Hangers

Anti-vibration Hangers help eliminate high frequency vibration. They have a helical steel spring held within a rolled steel case and a neoprene spring seat. With a 15mm static deflection they give isolation efficiencies in excess of 85% for running speeds down to 670 rpm at the rated load.

For easy installation they are supplied pre-rigged and come in a Zinc plated passivated finish, which makes them suitable for external use. Available to suit weight ranges of 7-14kg up to 67-137kg.

Technical data supplied by the manufacturer



Product Code	Dimension A mm	Dimension B mm	Dimension C mm	Weight Range kg
331402571	100	50	50	7 – 14 kg
331402572	100	50	50	14 – 28 kg
331402573	100	50	50	23 – 46 kg
331402574	100	50	50	41 – 82 kg
331402575	100	50	50	67 – 137 kg

Remark: This technical data sheet replaces all previous versions. The technical data contained herein is given in good faith and we cannot be held liable for any errors, inaccuracies, omissions or editorial failings. The information detailed in this technical data sheet is given by way of indication and is not exhaustive, users should contact either the seller or the manufacturer of the product for additional technical information concerning its use, if they think the information in their possession needs to be clarified in any way.