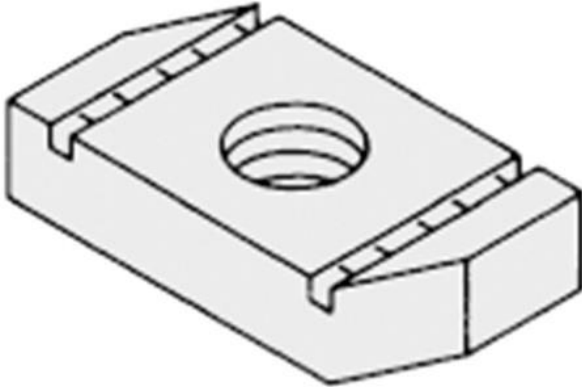


- ✓ RIGHT PRODUCTS
- ✓ RIGHT PLACE
- ✓ RIGHT TIME



## Plain Channel Nuts

Plain Channel Nuts with a Pre Galvanised (PG) and Hot Dipped Galvanised (HDG) finish.

Suitable for a wide range of applications, plain channel nuts provide a quick and easy way to connect channel with bracketry or any other support mechanism. Simply insert the plain channel nut into the channel and rotate 90° in order to provide a simple and secure fixing.

Available in sizes M5 to M12 in PG and M6, M8, M10, M12, M16 in HDG.

---

Technical data supplied by the manufacturer.

### Description

---

To Suit: All Channel Sections

Sizes: M5, M6, M8, M10, M12, M16

Material: Mild Steel

Finish: Pre Galvanised (PG) or Hot Dipped Galvanised Steel (HDG).

**Remark:** This technical data sheet replaces all previous versions. The technical data contained herein is given in good faith and we cannot be held liable for any errors, inaccuracies, omissions or editorial failings. The information detailed in this technical data sheet is given by way of indication and is not exhaustive, users should contact either the seller or the manufacturer of the product for additional technical information concerning its use, if they think the information in their possession needs to be clarified in any way. Any illustrations shown are indicative only, and dimensions may differ slightly from batch to batch.