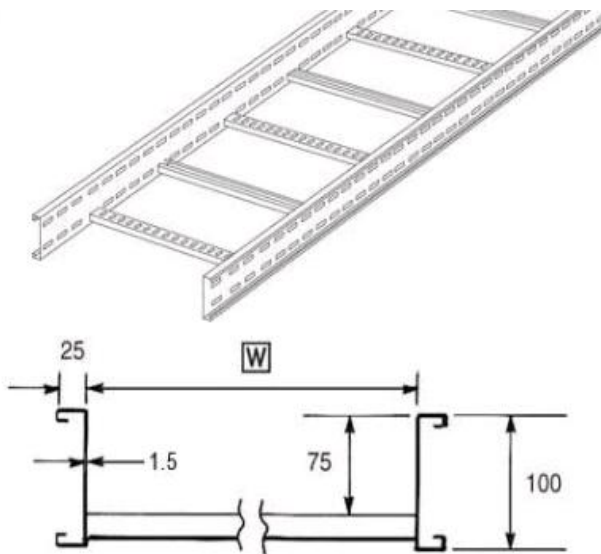


Product Model

Cable Ladder 100mm high



100mm High Cable Ladder for cable installation / management. 3m lengths, available in 150mm, 300mm, 450mm, 600mm, 750mm and 900mm widths, with a Hot Dip Galv finish.

The ladder rungs are 41mm x 21mm channel and are alternately reversed. The ladder side rails feature slots that allow for easy connection to each other without the need to drill, even when the ladder is cut on site.

Technical data supplied by the manufacturer

UNISTRUT®

Part number	Finish	Size	Length	Weight
301401275	HG	150mm	3M	13.84
301401276	HG	300mm	3M	15.55
301401277	HG	450mm	3M	17.27
301401278	HG	600mm	3M	18.99
301401279	HG	750mm	3M	22.85
301401280	HG	900mm	3M	24.99

Remark: This technical data sheet replaces all previous versions. The technical data contained herein is given in good faith and we cannot be held liable for any errors, inaccuracies, omissions or editorial failings. The information detailed in this technical data sheet is given by way of indication and is not exhaustive, users should contact either the seller or the manufacturer of the product for additional technical information concerning its use, if they think the information in their possession needs to be clarified in any way.