

- ✓ RIGHT PRODUCTS
- ✓ RIGHT PLACE
- ✓ RIGHT TIME



Product Model MEZ-ELL CLEATS

MEZ-ELL Cleat can be used for fastening rectangular air duct systems lying directly below the ceiling. When used in conjunction with a threaded rod both optimum alignment and height adjustment are possible. Available in sizes; 58x30x45mm, 100x30x45mm and 130x40x45mm. Small holes around the outside are 4.2mm in size and designed for self-drill screws.



Technical data supplied by the manufacturer

- The installation on the air duct can be done with rivets (0.4 mm), self-drilling screws (4.2 mm) or metric screws (M8).
- Direct attachment to the structure possible.
- Mounting element for fastening rectangular air duct systems
- Optimal alignment and height adjustment via threaded rods
- “Swing” version with insulation for noise and vibration-resistant suspension

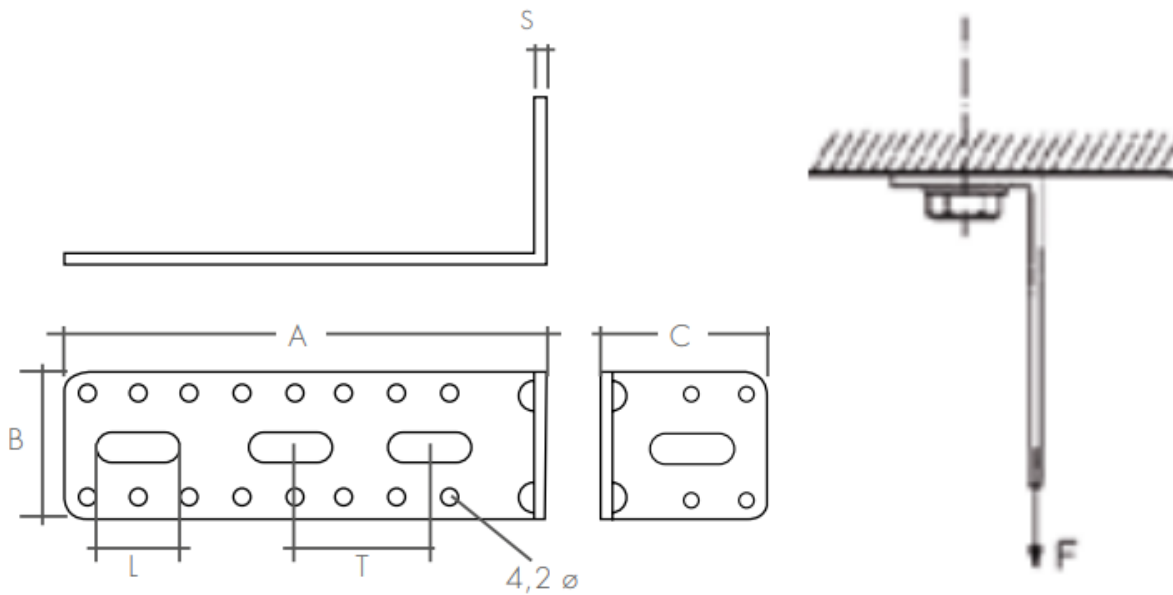
Part No.	Description	Material	Insulation	A	B	C	S	L	for ø	T	F	PU	PG
8163	MEZ-ELL - Type 30	Galv. Steel		58	30	45	2,5	24 x 8,5	M8	42	0, 30 Kn	100PC.	190203
8173	MEZ-ELL - Type 30	Galv. Steel		100	30	45	2,5	24 x 8,5	M8	42	0, 30 Kn	100pc.	190203
818	MEZ-ELL - Type 40	Galv. Steel		130	40	42	2,5	24 x 8,5	M8	42	0, 50 Kn	100PC.	190201
8163S1	MEZ-SWINGELL - Type 30 - M10	Galv. Steel	/	58	30	45	2,5	24 x 8,5	M10	42	-	50 pc.	190205

- ✓ RIGHT PRODUCTS
- ✓ RIGHT PLACE
- ✓ RIGHT TIME

MEZ-ELL CLEAT



MEZZ-SWINGELL 3 ANTI-VIBRATION BRACKET



MEZZ-SWINGELL 3 ANTI-VIBRATION BRACKET



- Mounting element for risers with integrated insulation part
- For simple, vertical fastening of ventilation ducts
- Suitable for attachment to wall bracket brackets

Art No.	Description	Material	Insulation	A	B	C	S	L	for ø	T	F	PU	PG
8163	MEZ-ELL - Type 30	Galv. Steel		58	30	45	2,5	24 x 8,5	M8	42	0,30 Kn	100PC.	190203

Remark: This technical data sheet replaces all previous versions. The technical data contained herein is given in good faith and we cannot be held liable for any errors, inaccuracies, omissions or editorial failings. The information detailed in this technical data sheet is given by way of indication and is not exhaustive, users should contact either the seller or the manufacturer of the product for additional technical information concerning its use, if they think the information in their possession needs to be clarified in any way.