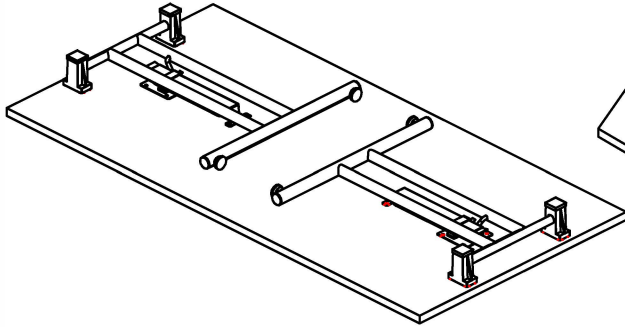
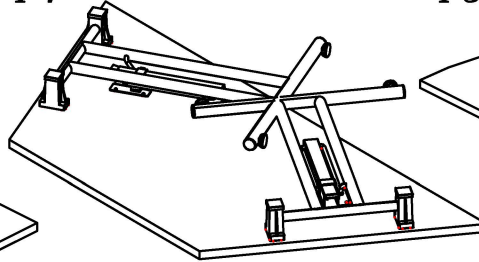


# F1, F2, F3, F4, F5 FOLDING TABLE INSTRUCTIONS

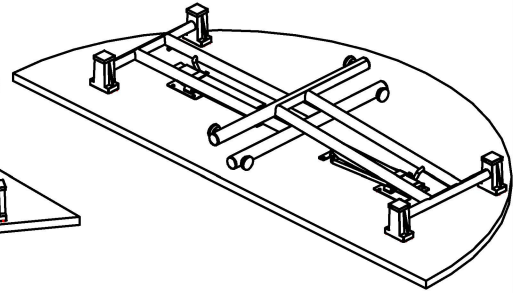
F1, F2, F3



F4



F5



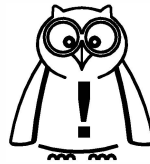
**Fitting Content**



3/4" X 10  
SCREW  
QTY:12



1 1/4 " X 10  
SCREW  
QTY:16

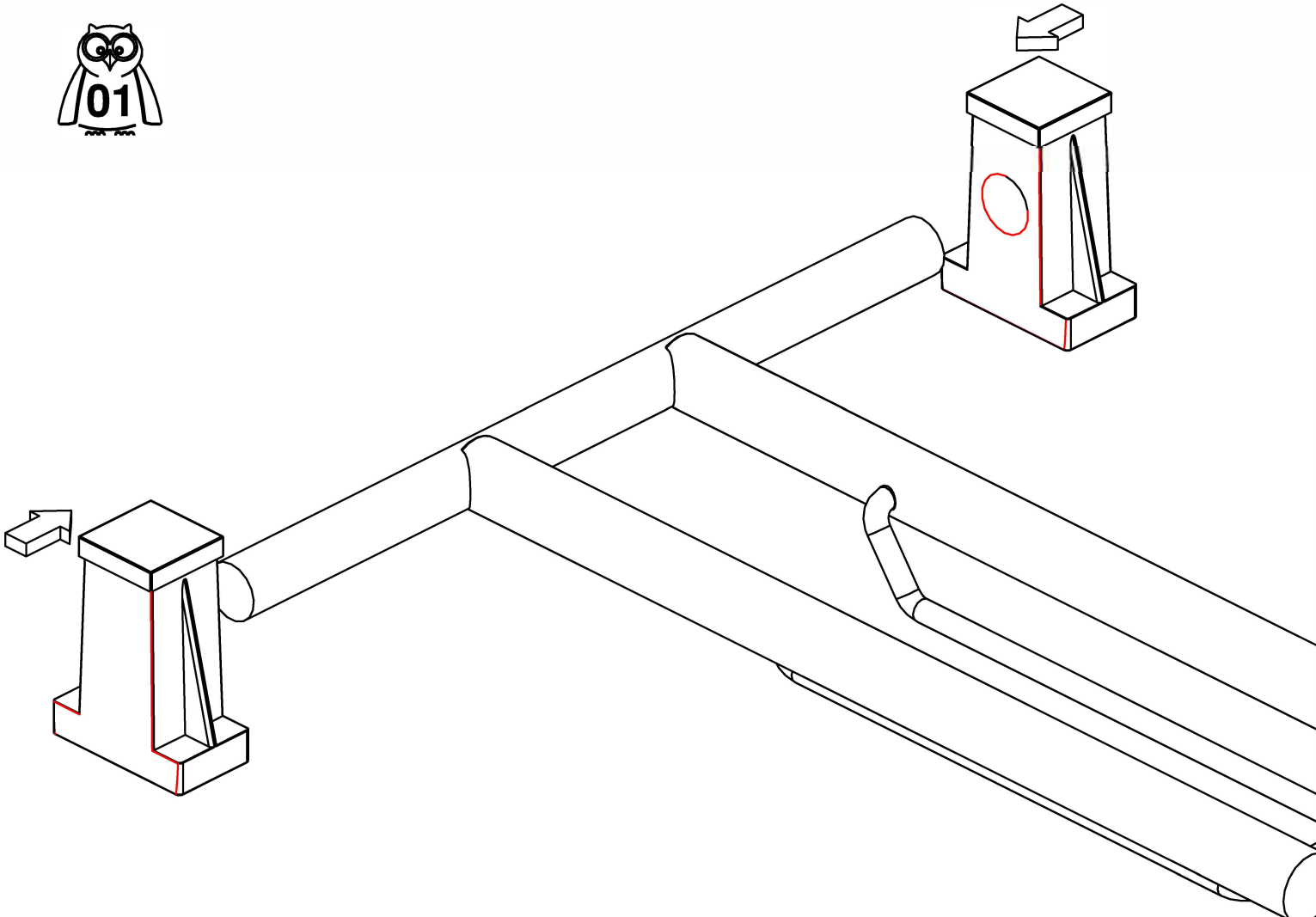


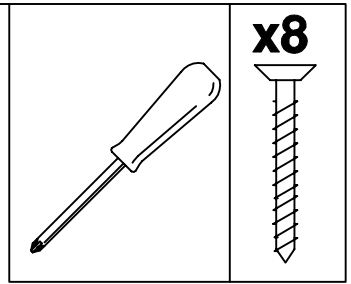
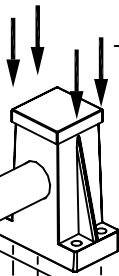
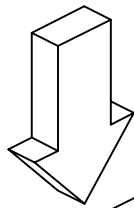
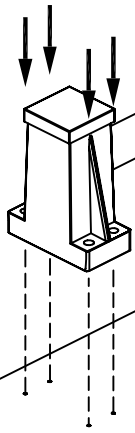
The fittings are in a selfsealed bag - please open the bag and then empty the contents into a bowl so that none get lost.  
PLEASE - keep all fittings away from children.

**Required For Assembly**

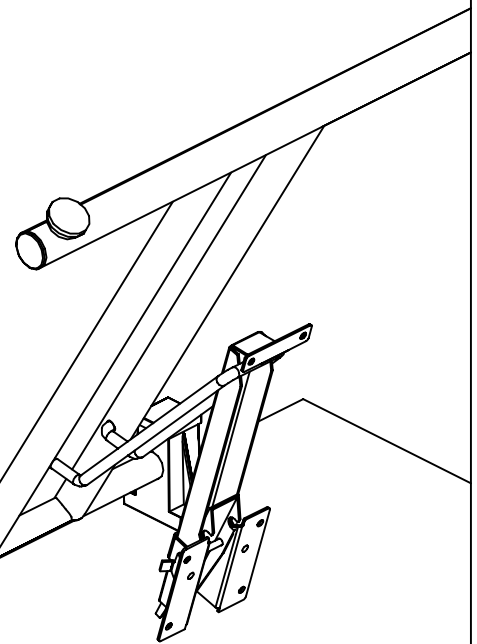
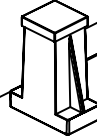
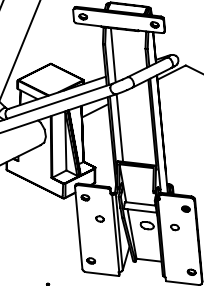
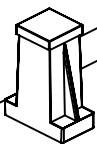
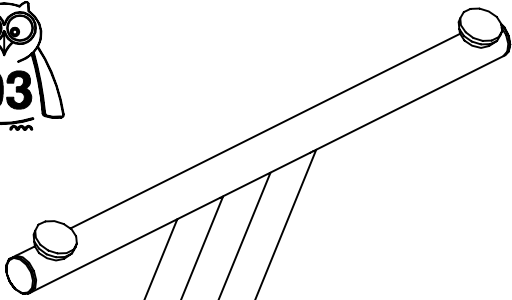


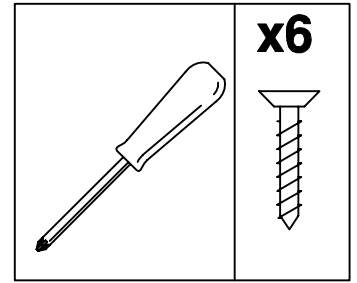
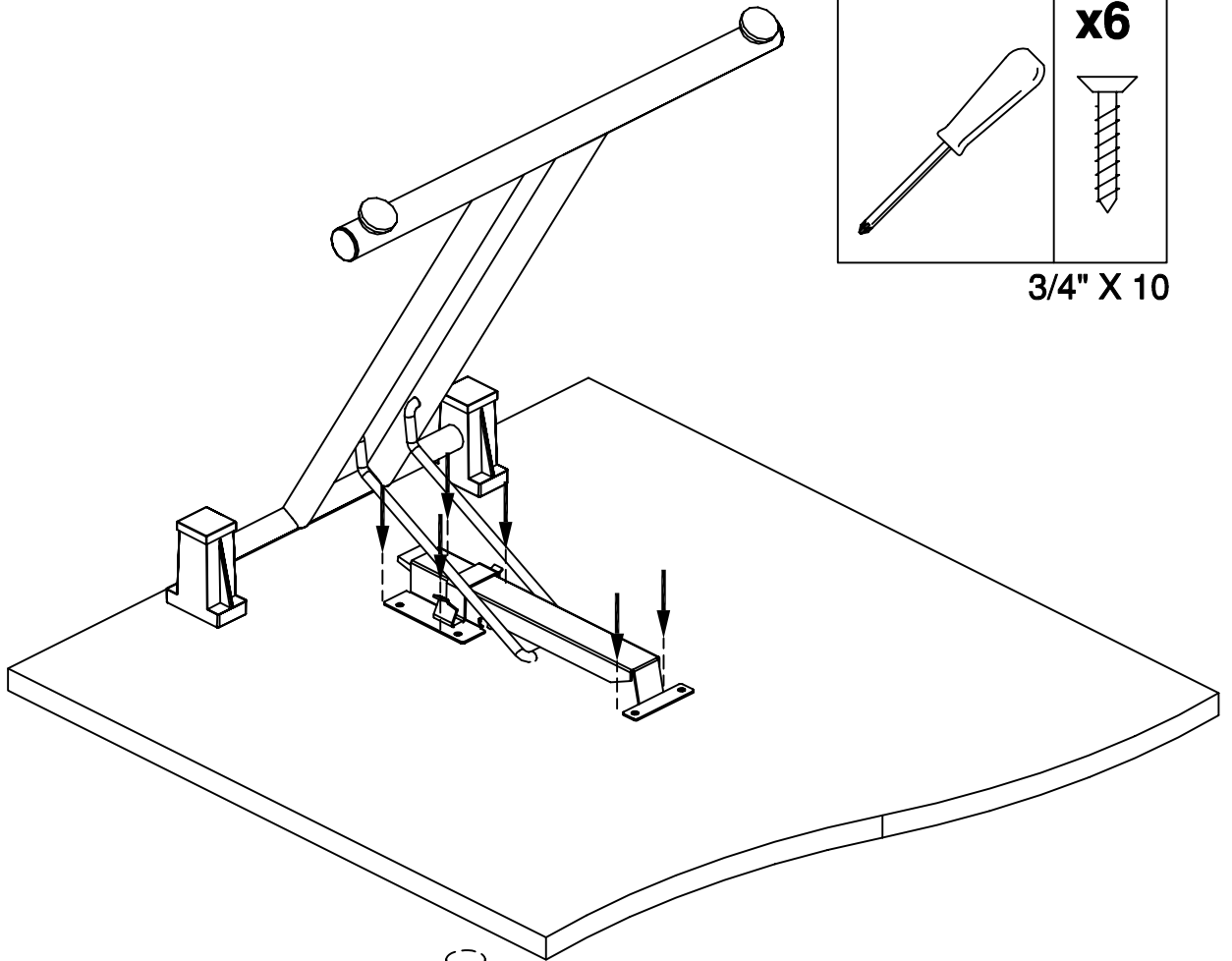
Start the assembly of this product by familiarising yourself with each component and this instruction sheet, this will make assembly easier. Handle all panels with care. Always lay panels down on a flat smooth surface. Complete each stage before going to the next one. Please follow these instructions and take your time.



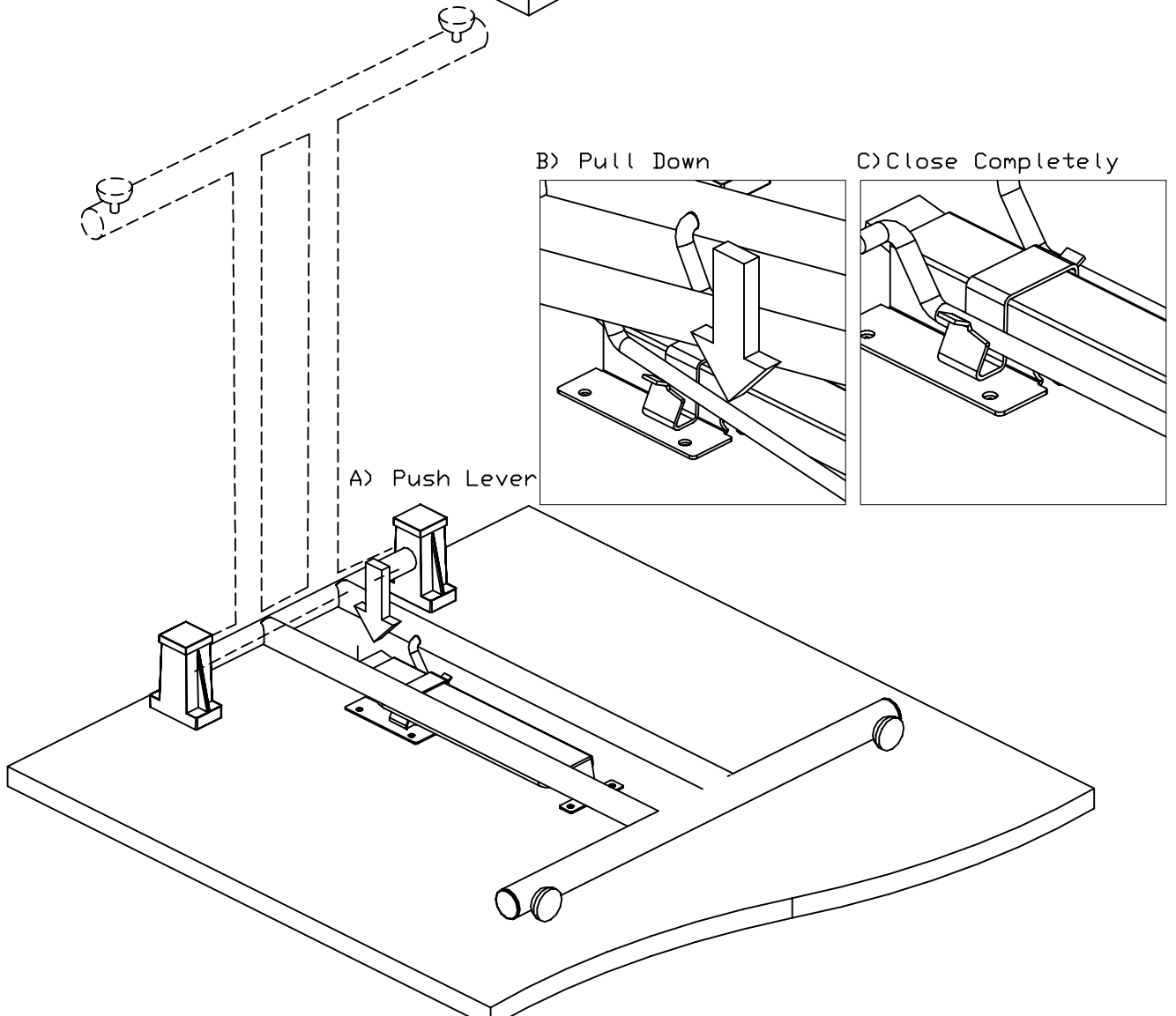


1 1/4" X 10





3/4" X 10



B) Pull Down

C) Close Completely

A) Push Lever