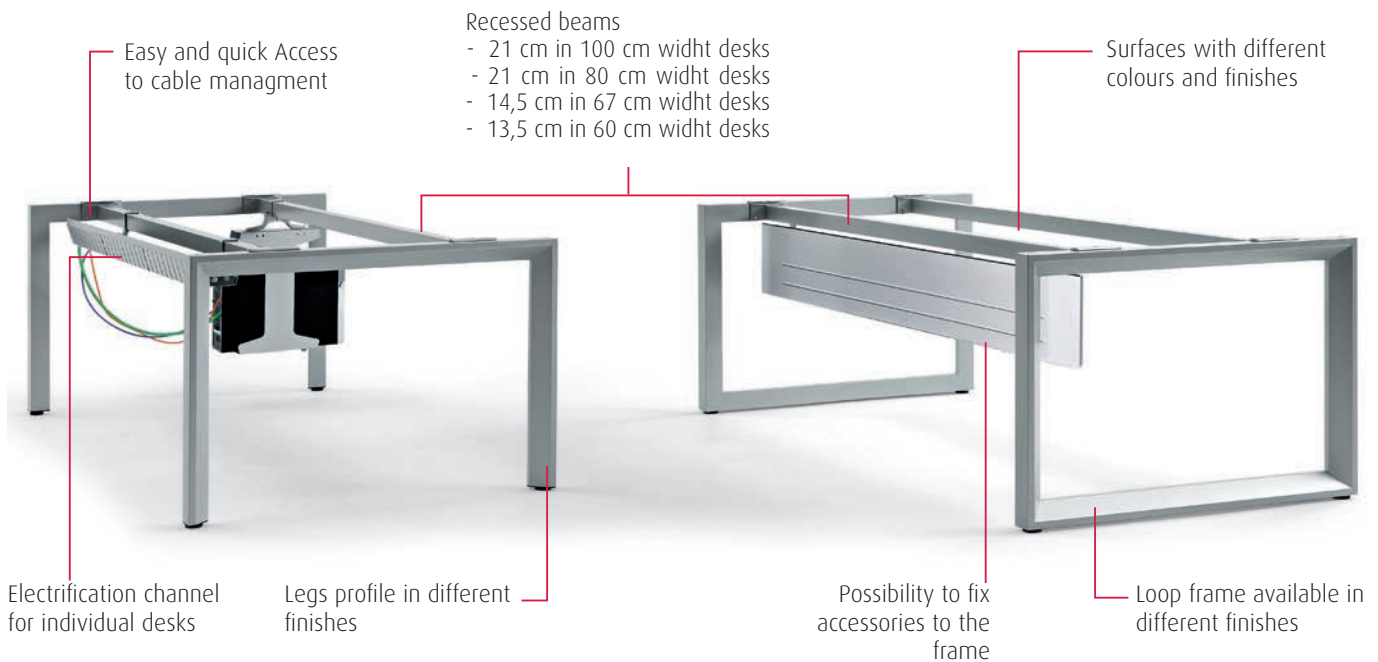


VITAL PLUS 60

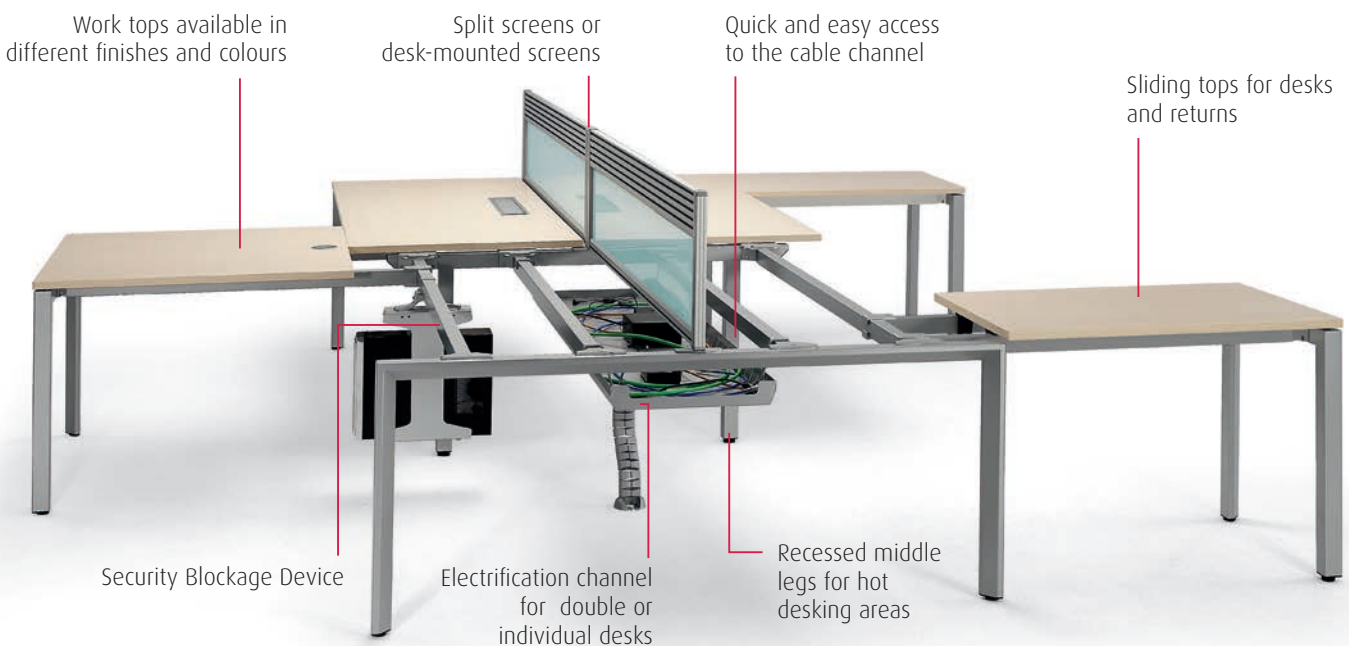


- Code: FTM 1007 019
- Description: Tables in two structures with legs or with loop frame

 Single desks



 Bench system desks with recessed legs



 **VITAL PLUS 60**

■ **FEATURES OF VITAL PLUS PROGRAM**

Sliding tops and access to electrification channel



The structure incorporates a quick shift to allow perfect and quick placement of the work surface assembly. Facilitates the movement of the board when they require access to the high capacity electrification tray, to manage, organize and storage the wiring. It also incorporates a security system located at the bottom of the board to manipulate the wiring without risk of accidental crushing.

■ **RECESSED BEAMS**

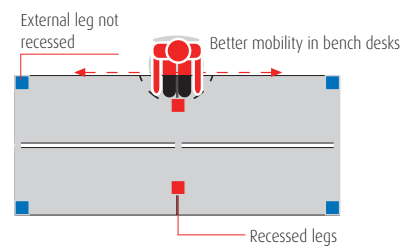
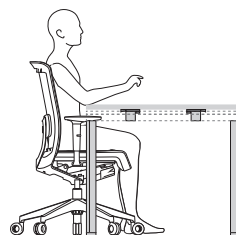
Better functionality with recessed beams:

- Totally accessible to the desk edge with any task chair with arms.
- Avoid any knock by accident
- Recessed legs in progressive and desks provide better mobility and dynamism in the work place.

Two types of structure in shape and thickness



VITAL PLUS has an aesthetic edge profile angle of 50mm and 60mm in addition to leveling and height adjusters. In addition, we have two types of structures, legs or closed frame structure. Both models have recessed beams rails that allow the establishment of independently matching furniture, like columns, cable canals and splits screens. CPU holders, hanging bucks and modesty panel are exclusive for individual tables and can be installed on the rails connecting the tables.

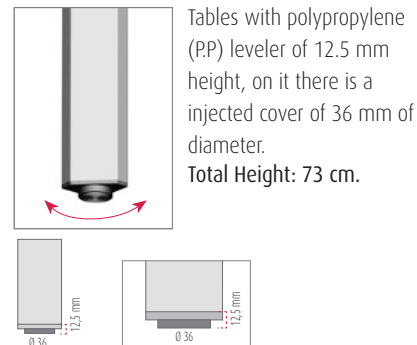


■ **FRAME**



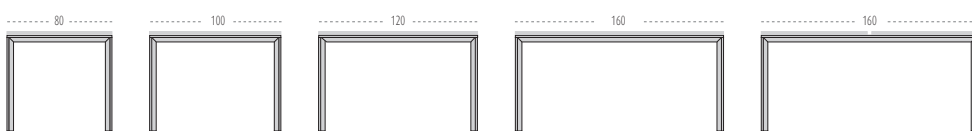
Manufactured with Warm Laminated steel, 1.5mm thickness. Finishes silver RAL 9006, white epoxy finish and chromed.

■ **LEGS AND SUPPORTS**

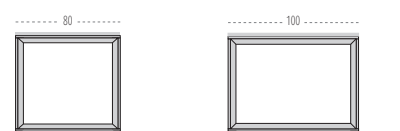


■ **FRAMES AVAILABLE - VITAL PLUS 60**

LEG FRAME



LOOP FRAME



■ **SURFACE FINISH OPTIONS FOR VITAL PLUS 50 AND VITAL PLUS 60**

MFC (19 mm)



(see finishes card)

HPL (25 mm)



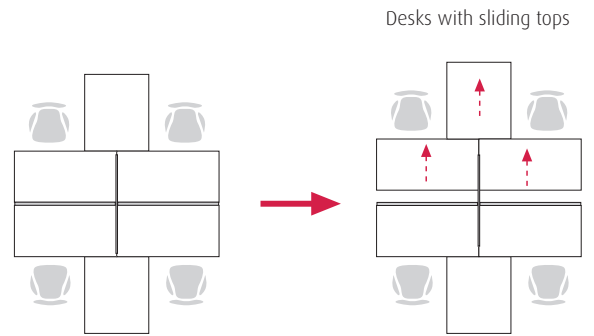
C. Laminate (13 mm)



Glass (5+5 / 6+6 mm)



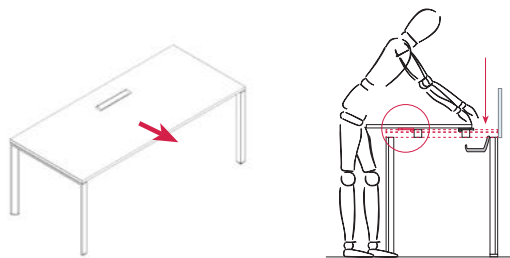
 Sliding tops and access to electrification channel



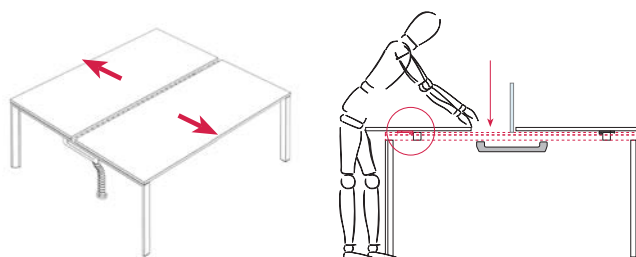
Frame has a quick device to get a perfect and quick top assembling. Easy to access, organize and store cables in the cable channel. (Electrification Frame manufactured by laminated Steel 1,2 mm thickness).

Easy access to the electrification channel
 Vital Plus sliding movements towards the user in both double and single desks for an easy access to the electrification channel. In twin desks, the top movement will be towards the opposite way. In the single desks, it is better to order "Y" tops

Sliding top in single desks
 (Tables with glass surface can not be moved)



Sliding top in double desks
 (Tables with glass surface can not be moved)



Open and close security system

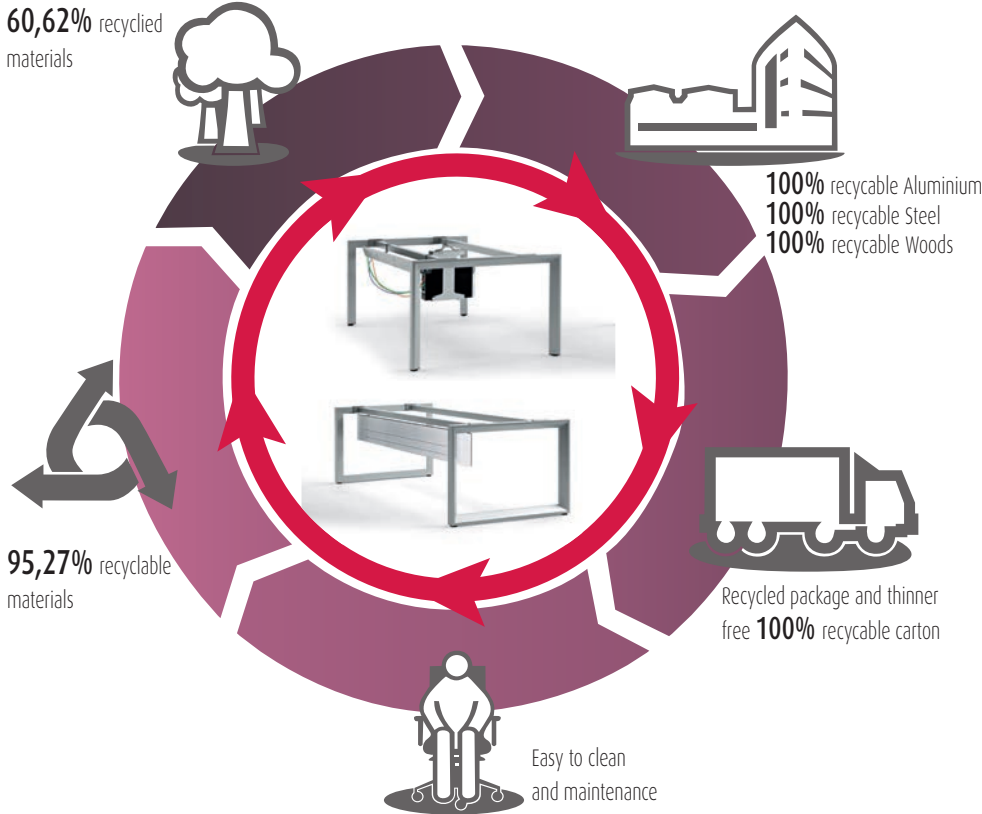
Vital Plus has a security system under the top to activate the movement. Likewise, system can be blocked to manipulate the cables without any risk of top movement by accident.



Sliding system



Security Blockage Device



MATERIALS

VITAL PLUS 60 has been designed to be manufactured with recycled materials 60,62%, danger substances such as chrome, mercury or cadmium are not used in big quantity. Recyclables Aluminium, Steel and Woods 100%. Organic volatile Components. Packages manufactured with recycled carton. Ink thinner free.

PRODUCTION

Energy use is optimized during the production process. Minimum environmental impact. Last generation technological system in coating processes. Painting that have not been used is recovered to use it again. Zero COVs emissions and other contaminant gas. Close water circuit to clean the metals. Heat recovery. Automatic manufacture systems. Cut process is planned.

TRANSPORT

Optimum packaging to reduce space in transport and save energy.

USE

Long lasting use. Spare parts and replacements available. Easy to clean and maintenance.

DISPOSAL

95,27% recyclable. Easy and quick to split **VITAL PLUS 60** components. Packages are reuse by our supplier to avoid waste generation. Carton used in packages is recyclable.

CERTIFICATES AND REFERENCES

The different programmes get points in different environmental categories to get the LEED certificate (sustainability, material and resources, water, energy and atmosphere, inner environment quality, innovation and design).



The mark of responsible forestry



PEFC Certificate



EN ISO 14006:2011 ECODESIGN Certificate



UNE-EN ISO 9001:2008 ISO 9001 Certificate



UNE-EN ISO 14001:2004 ISO 14001 Certificate



E1 by EN 13986 Certificate

■ ERGONOMICS

VITAL PLUS 60 available for all type of users. Perfect for any need and keep user's posture in a natural way without any manual adjustment.

■ STANDARDS

VITAL PLUS 60 has passed tests done in our technical department as well as the tests done in **AIDIMA** the Technological Institute for furniture. The tests correspond to UNE standards and office desks:

- **UNE: EN 527-1:2003.** Office Furniture. Desks. Part 1: Dimensions.
- **UNE: EN 527-2:2003.** Office Furniture. Desks. Part 2: Mechanical security requirements.
- **UNE: EN 527-3:2003.** Office Furniture. Desks. Part 3: Test to determine stability and structure resistance.

■ ECOLOGY

ENERGY SAVING

The new technological production system included, reduce the energy resources used to manufacture each component. Materials are very well used to avoid wastes.

RECYCLED AND RECYCABLE MATERIALS

ACTIU environmental policy opts to use recycled materials in those components where functionality and lasting is not a condition. Materials used in **VITAL PLUS 60** such as aluminium, steel or wood are totally recyclable.

SUSTAINABLE CERTIFICATE

ACTIU has **PEFC and FSC** certificate to proof that the wood used in our products comes from sustainable exploitations and **ECODESIGN ISO 14006 certificate**.

REMARKABLE VALUES

1 – Legs covered with epoxy coating, bonding 2nd generation polymerized 200°C. Non-greasy treatments and nano-ceramics application to improve the coating so it becomes more resistance and long-lasting.

2 – Coating 80-90 micron thickness.

This covering guarantees the finish and maintenance of metal structures.

3 – Painting process:

Actiu painting plant has minimum environmental impact against the traditional industry processes.

Treatment is done by polarized coating and compacted with temperature. We get homogeneous and regular application with 98% of painting and the remaining 2% is used to produce other paints. Paints used are COVs free (Volatile Organic Components) which are very dangerous for the environment. All water used in the process is re-used, so we get zero dump. The process is free in heavy metal, phosphate, organic components and DQD (Biochemical demand of Oxygen). The program gives us an exact control of thickness, so it provides us with standard thickness (80-90 micron).

Antibacterial finish

4 – **PEFC and FSC** certificate to proof that the wood used in our products comes from sustainable exploitations and **ECODESIGN ISO 14006** certificate.

5 – **Optional** accessories fixed to the beams, modesty panels, screens, CPU holders or fixed pedestals.